

Dual In-Line Leadframes (F-Type)

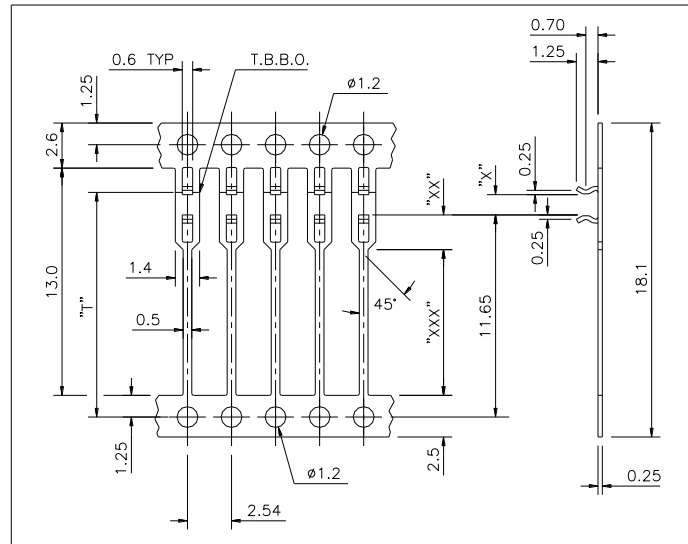
Also known as Dual In Line Pin as well as edge clip connectors. Typical applications include resistor networks, hybrid circuits and PCB terminations. DIL leadframes are available with pitches of 1.27mm to 2.54mm, and "F" and "G" outlines as detailed in the catalogue. Customised versions and special designs are also possible.

BATTEN & ALLEN LTD

Contents

2.....	<i>BA 3500 Series</i>
3.....	<i>BA 3510 Series</i>
3.....	<i>BA 3540 Series</i>
4.....	<i>BA 3560 Series</i>
4.....	<i>BA 3610 Series</i>
5.....	<i>BA 3700 Series</i>
6.....	<i>BA 3760 Series</i>
6.....	<i>BA 6600 Series</i>
7.....	<i>Component Ordering Key</i>
8.....	<i>Pre Plating Specification</i>
9.....	<i>Post Plating Specification</i>
10.....	<i>Base Material Specification</i>

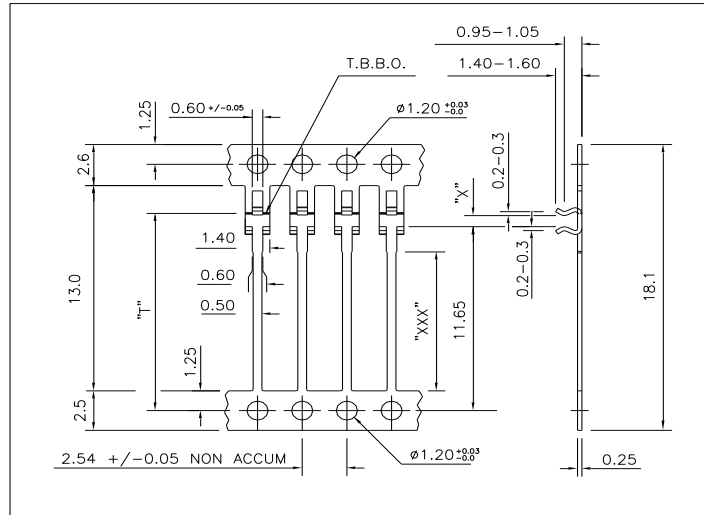
BA 3500 Series



All Dimensions in mm

Ordering Information						Technical Information						
Part Number	Top Bar Dim T	Bottom Bar Dim B	Plating Code	Qty per Reel	Wind Style	Material Thickness	Substrate Size	Gap Size Dim X	Stand Off Dim XX	Pin Length Dim XXX	Clip Length	MOQ
BA3500	12.31 (TE)	none (BZ)	1A / 4A	50K (F)	5 to 8	0.25	0.62-0.70	0.55	2.00	8.40	1.25	1 Reel
	12.31 (TE)	11.60 (BP)	1A / 4A	50K (F)	5 to 8	0.25	0.62-0.70	0.55	2.00	8.40	1.25	1 Reel
BA3501	12.49 (TF)	none (BZ)	1A / 4A	50K (F)	5 to 8	0.25	0.79-0.87	0.71	2.00	8.40	1.25	1 Reel
	12.49 (TF)	11.60 (BP)	1A / 4A	50K (F)	5 to 8	0.25	0.79-0.87	0.71	2.00	8.40	1.25	1 Reel
BA3502	12.70 (TG)	none (BZ)	1A / 4A	50K (F)	5 to 8	0.25	1.00-1.08	0.93	2.00	8.40	1.25	1 Reel
	12.70 (TG)	11.60 (BP)	1A / 4A	50K (F)	5 to 8	0.25	1.00-1.08	0.93	2.00	8.40	1.25	1 Reel
BA3503	12.95 (TH)	none (BZ)	1A / 4A	50K (F)	5 to 8	0.25	1.25-1.32	1.18	2.00	8.40	1.25	500,000
	12.95 (TH)	11.60 (BP)	1A / 4A	50K (F)	5 to 8	0.25	1.25-1.32	1.18	2.00	8.40	1.25	500,000

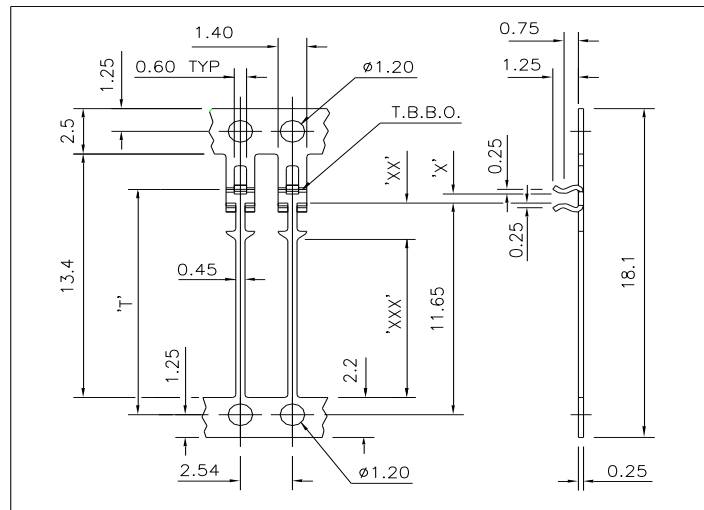
BA 3510 Series



All Dimensions in mm

Ordering Information						Technical Information						
Part Number	Top Bar Dim T	Bottom Bar Dim B	Plating Code	Qty per Reel	Wind Style	Material Thickness	Substrate Size	Gap Size Dim X	Stand Off Dim XX	Pin Length Dim XXX	Clip Length	MOQ
BA3510	12.31 (TE)	none (BZ)	1A / 4A	50K (F)	5 to 8	0.25	0.62-0.70	0.55		8.80	1.25	1 Reel
BA3511	12.49 (TF)	none (BZ)	1A / 4A	50K (F)	5 to 8	0.25	0.79-0.87	0.71		8.80	1.25	500,000
BA3512	12.70 (TG)	none (BZ)	1A / 4A	50K (F)	5 to 8	0.25	1.00-1.08	0.93		8.80	1.25	500,000
BA3513	12.95 (TH)	none (BZ)	1A / 4A	50K (F)	5 to 8	0.25	1.25-1.32	1.18		8.80	1.25	500,000

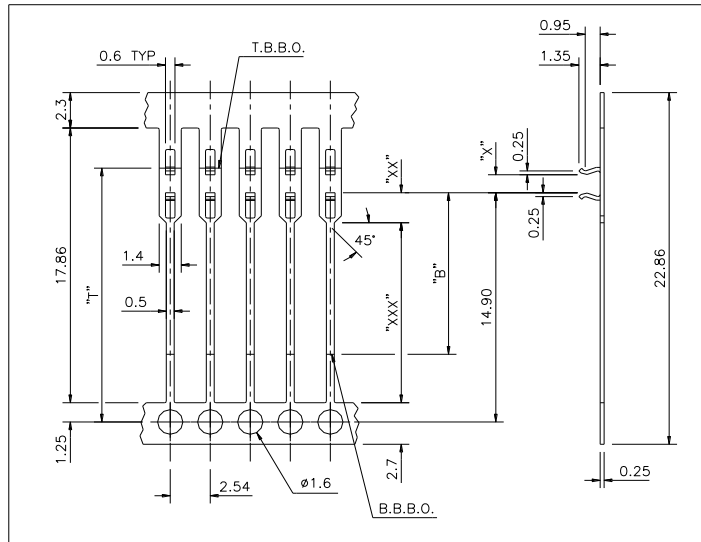
BA 3540 Series



All Dimensions in mm

Ordering Information						Technical Information						
Part Number	Top Bar Dim T	Bottom Bar Dim B	Plating Code	Qty per Reel	Wind Style	Material Thickness	Substrate Size	Gap Size Dim X	Stand Off Dim XX	Pin Length Dim XXX	Clip Length	MOQ
BA3540	12.70 (TG)	none (BZ)	1A / 4A	50K (F)	5 to 8	0.25	0.62-0.70	0.52	2.00	8.70	1.25	500,000

BA 3700 Series



All Dimensions in mm

Ordering Information						Technical Information						MOQ
Part Number	Top Bar Dim T	Bottom Bar Dim B	Plating Code	Qty per Reel	Wind Style	Material Thickness	Substrate Size	Gap Size Dim X	Stand Off Dim XX	Pin Length Dim XXX	Clip Length	
BA3700	15.86 (TM)	none (BZ)	4A	50K (F)	5 to 8	0.25	0.58-0.70	0.54	2.00	11.70	1.35	500,000
	15.86 (TM)	10.50 (BL)	4A	50K (F)	5 to 8	0.25	0.58-0.70	0.54	2.00	11.70	1.35	500,000
BA3701	16.23 (TN)	none (BZ)	4A	50K (F)	5 to 8	0.25	1.00-1.08	0.90	2.00	11.70	1.35	500,000
	16.23 (TN)	10.50 (BL)	4A	50K (F)	5 to 8	0.25	1.00-1.08	0.90	2.00	11.70	1.35	500,000
BA3702	17.53 (TO)	none (BZ)	4A	50K (F)	5 to 8	0.25	2.21-2.34	2.12	2.00	11.70	1.35	500,000
	17.53 (TO)	10.50 (BL)	4A	50K (F)	5 to 8	0.25	2.21-2.34	2.12	2.00	11.70	1.35	500,000
BA3703	18.03 (TR)	none (BZ)	4A	50K (F)	5 to 8	0.25	2.46-2.59	2.37	2.00	11.70	1.35	500,000
	18.03 (TR)	10.50 (BL)	4A	50K (F)	5 to 8	0.25	2.46-2.59	2.37	2.00	11.70	1.35	500,000
BA3704	18.03 (TR)	none (BZ)	4A	50K (F)	5 to 8	0.25	2.71-2.85	2.62	2.00	11.70	1.35	500,000
	18.03 (TR)	10.50 (BL)	4A	50K (F)	5 to 8	0.25	2.71-2.85	2.62	2.00	11.70	1.35	500,000
BA3707	18.22 (TT)	none (BZ)	4A	50K (F)	5 to 8	0.25	3.00-3.10	2.90	2.00	11.70	1.35	500,000
	18.22 (TT)	10.50 (BL)	4A	50K (F)	5 to 8	0.25	3.00-3.10	2.90	2.00	11.70	1.35	500,000

Component Ordering Key

Series & Part Number	-	Top Bar Break	Bottom Bar Break	-	Plating Code	-	Quantity Per Reel	Winding Style
Example								
BA1500	-	TA	BZ	-	4A	-	A	1

Break Off (see part drawing for dimension placing)				Plating Specifications		Quantity per Reel		Winding Style	
Top Bar		Bottom Bar		Code	Type of plating	Code	Quantity		
Code	Size	Code	Size						
TZ	None	BZ	None	1A	PRE-PLATE HOT TIN DIP 100% TIN 3-7 MICRONS	A	20,000	1	SIL
TA	2.00mm	BC	0.73mm			B	25,000	2	SIL
TE	12.31mm	BF	4.00mm			C	30,000	3	SIL
TF	12.49mm	BG	6.10mm			D	35,000	4	SIL
TG	12.70mm	BJ	0.55mm			4A	POST-PLATE ELECTROLYTIC Pure Sn 4-8 MICRONS No Reflow Matt	E	40,000
TH	12.95mm	BL	10.50mm	F	50,000			6	DIL
TJ	2.30mm	BN	3.30mm	G	80,000			7	DIL
TL	1.25mm	BO	5.84mm	H	100,000			8	DIL
TM	15.86mm	BP	11.60mm	J	60,000				
TN	16.23mm	BR	12.78mm	4B	POST-PLATE ELECTROLYTIC Pure Sn 4-8 MICRONS Over Ni Flash No Reflow Matt	K	75,000		
TO	17.53mm	BS	7.24mm			L	15,000		
TP	17.77mm	BT	5.51mm			M	160,000		
TR	18.03mm								
TT	18.22mm								
TU	16.75mm			4C	POST-PLATE ELECTROLYTIC Pure Sn 4-8 MICRONS Over 0.25 Microns Min Ni No Reflow Matt				
TX	12.63mm								
TY	12.85mm								
UB	4.00mm								
UC	0.90mm								
UD	17.15mm			Other plating specifications on request					
UE	13.20mm								
UF	3.00mm								
UG	1.70mm								
UH	1.85mm								

Pre Plating Specification

Type of plating:	Hot Tin Dip
Plating Code:	1A = 100% Sn
Thickness:	3 to 7 Microns
Shelf life:	1 Year from date of despatch: Depending on storage conditions
Finish:	Bright
Melting Point:	232°C (Approx.)
Ageing Test:	Test to be performed in accordance with BS 2011 Test "Ta" <ol style="list-style-type: none">1) Accelerated ageing for 16 hours at 155°C2) Immersion in SM/NA flux for 5 seconds3) Immersion in solder at 250°C ±5°C for 5 seconds, No Dewetting Permissible
Hot Plate Test:	Place material on Hot Plate at 325°C minimum for a period of 20 seconds from melting point. Both sides of material to be inspected, Top side to be considered as test side. No Dewetting Permissible. Pin holes acceptable (Areas less than 0.125mm) Maximum of 20 per 50mm ² area



Post Plating Specification

Type of plating:	Electroplated
Plating Code:	4 to 8 Microns Pure Tin, Matt Finish (Non Reflow) 4A – Pure Tin 4B – Nickel flash under Pure Tin 4C – 0.25 Micron Min Nickel under Pure Tin

The Nickel Flash is believed to reduce the risk of Tin whiskers forming, but can cause the tin to discolour during the reflow process. The discolouration does not affect the solderability.

The advantage of post plating over pre plating is that there are no bare edges and therefore a better solder joint should be achieved.

Other plating specifications on request include 4 to 8 Microns 60/40 Tin/Lead for RoHS exempt products Designation "2A"

Shelf life:	1 Year from date of despatch: Depending on storage conditions
Melting Point:	Pure Sn 231.9°C
Ageing Test:	Test to be performed in accordance with BS 2011: Part 2.1T:1981 Method 1, ageing 3. 1) Accelerated ageing for 16 hours at 155°C 2) Immersion in non-activated flux for 5 seconds 3) Immersion in solder at 235°C ±5°C for 5 seconds, The dipped surface shall be covered with a smooth bright solder coating with no more than small amounts of scattered imperfections such as pin holes and dewetting. Within the significant surface these imperfections shall not exceed 5% of the area.



Base Material Specification

Material Designation	Alloy: Copper Tin (Phosphor Bronze)	
	DIN	CuSn6
	Designation	2.1020
	UNS	C51900
	BS	PB103
	NF	CuSN6P
Composition (nominal)	Weight Percentage	Cu 94 Sn 6
Physical Properties (nominal)	Electric Conductivity	$\frac{m}{\Omega mm^2}$ 9.0
	Thermal Conductivity	% IACS 15
	Coefficient	W/m K 75
	Elastic Modulus	$10^{-6}/K$ 18.5
	Density	KN/mm ² 118
		g/cm ³ 8.8