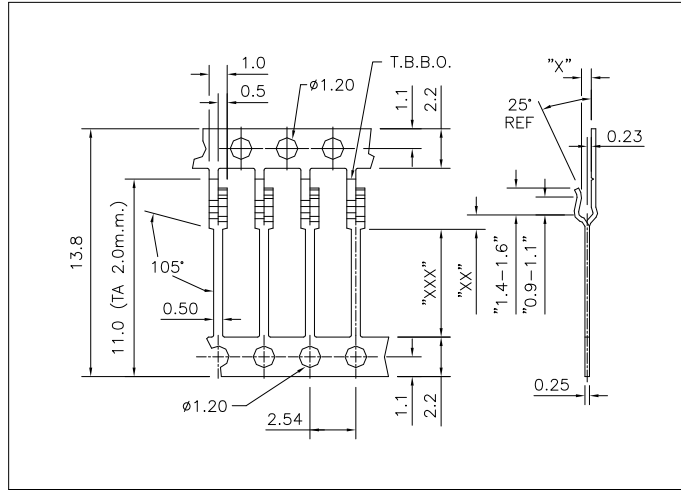


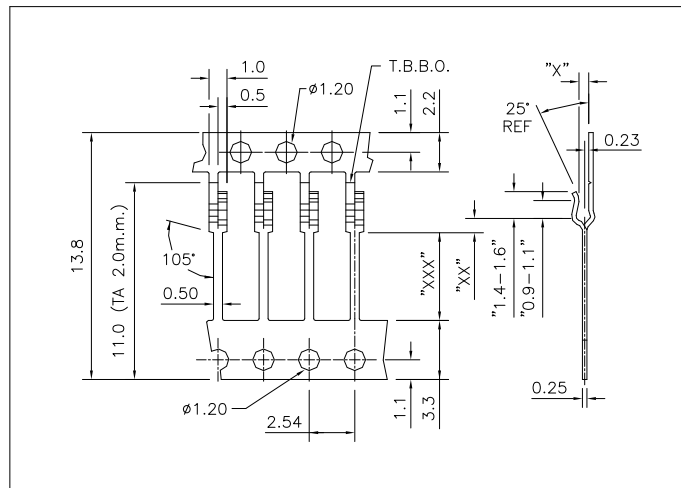
BA 5800 Series



All Dimensions in mm

Ordering Information						Technical Information						
Part Number	Top Bar Dim T	Bottom Bar Dim B	Plating Code	Qty per Reel	Wind Style	Material Thickness	Substrate Size	Gap Size Dim X	Stand Off Dim XX	Pin Length Dim XXX	Clip Length	MOQ
BA5800	2.00 (TA)	none (BZ)	4A	50K (F)	1 to 4	0.25	0.62-0.70	0.53	0.70	6.00	1.50	500,000
	none (TZ)	none (BZ)	4A	50K (F)	1 to 4	0.25	0.62-0.70	0.53	0.70	6.00	1.50	500,000
	1.85 (UH)	none (BZ)	4A	50K (F)	1 to 4	0.25	0.62-0.70	0.53	0.70	6.00	1.50	500,000

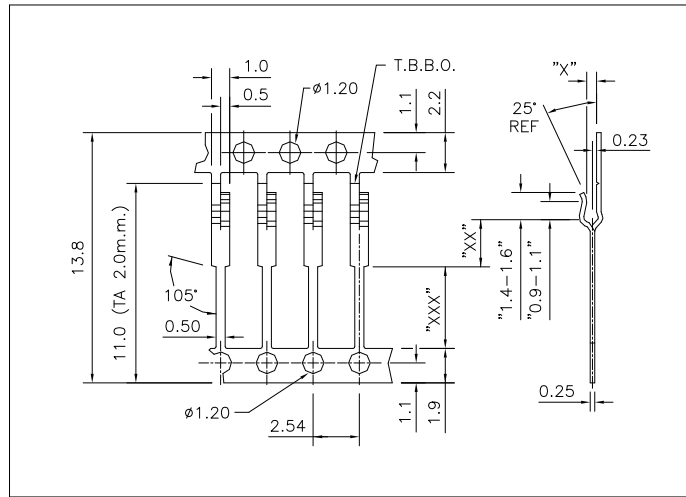
BA 5810 Series



All Dimensions in mm

Ordering Information						Technical Information						
Part Number	Top Bar Dim T	Bottom Bar Dim B	Plating Code	Qty per Reel	Wind Style	Material Thickness	Substrate Size	Gap Size Dim X	Stand Off Dim XX	Pin Length Dim XXX	Clip Length	MOQ
BA5810	2.00 (TA)	none (BZ)	4A	50K (F)	1 to 4	0.25	0.62-0.70	0.53	1.10	4.50	1.50	500,000
	none (TZ)	none (BZ)	4A	50K (F)	1 to 4	0.25	0.62-0.70	0.53	1.10	4.50	1.50	500,000
	1.85 (UH)	none (BZ)	4A	50K (F)	1 to 4	0.25	0.62-0.70	0.53	1.10	4.50	1.50	500,000

BA 5820 Series



All Dimensions in mm

Ordering Information						Technical Information						
Part Number	Top Bar Dim T	Bottom Bar Dim B	Plating Code	Qty per Reel	Wind Style	Material Thickness	Substrate Size	Gap Size Dim X	Stand Off Dim XX	Pin Length Dim XXX	Clip Length	MOQ
BA5820	2.00 (TA)	none (BZ)	4A	50K (F)	1 to 4	0.25	0.62-0.70	0.53	2.50	4.50	1.50	500,000
	none (TZ)	none (BZ)	4A	50K (F)	1 to 4	0.25	0.62-0.70	0.53	2.50	4.50	1.50	500,000
	1.85 (UH)	none (BZ)	4A	50K (F)	1 to 4	0.25	0.62-0.70	0.53	2.50	4.50	1.50	500,000