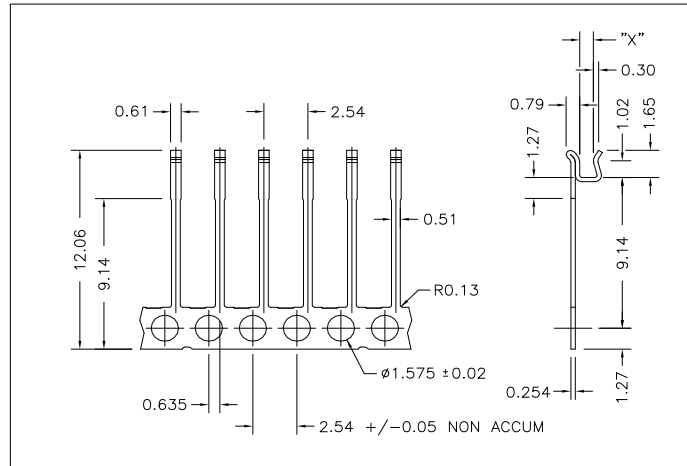


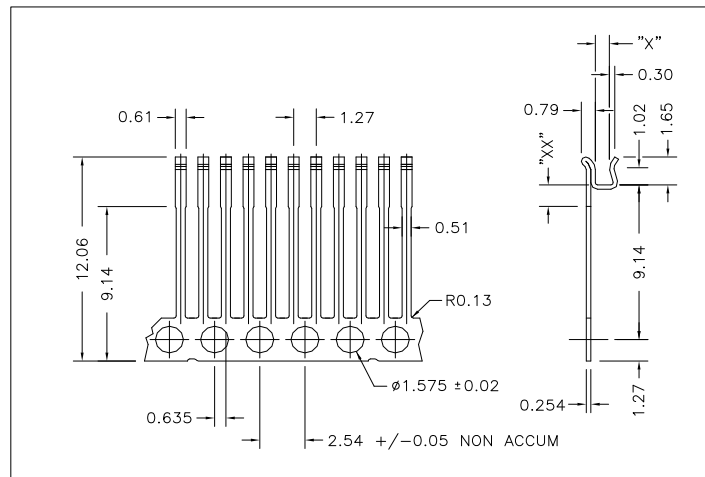
## BA 6440 Series



*All Dimensions in mm*

Ordering Information						Technical Information						
Part Number	Top Bar Dim T	Bottom Bar Dim B	Plating Code	Qty per Reel	Wind Style	Material Thickness	Substrate Size	Gap Size Dim X	Stand Off Dim XX	Pin Length Dim XXX	Clip Length	MOQ
BA6440	none (TZ)	none (BZ)	4A	40K (E)	1 to 4	0.25	2.46-2.59	2.39	0.90	9.70	1.75	480,000
	none (TZ)	none (BZ)	Z	40K (E)	1 to 4	0.25	2.46-2.59	2.39	0.90	9.70	1.75	480,000

## BA 6460 Series



*All Dimensions in mm*

Ordering Information						Technical Information						
Part Number	Top Bar Dim T	Bottom Bar Dim B	Plating Code	Qty per Reel	Wind Style	Material Thickness	Substrate Size	Gap Size Dim X	Stand Off Dim XX	Pin Length Dim XXX	Clip Length	MOQ
BA6460	none (TZ)	none (BZ)	4A	80K (G)	1 to 4	0.25	0.89-1.05	0.79	1.27	N/A	1.65	480,000
	none (TZ)	none (BZ)	Z	80K (G)	1 to 4	0.25	0.89-1.05	0.79	1.27	N/A	1.65	480,000