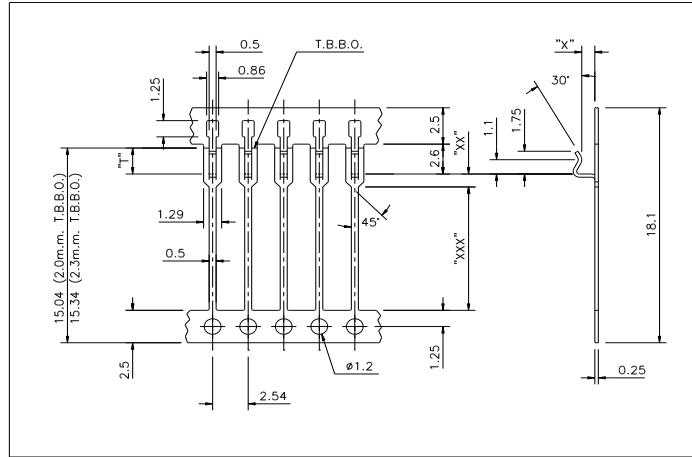


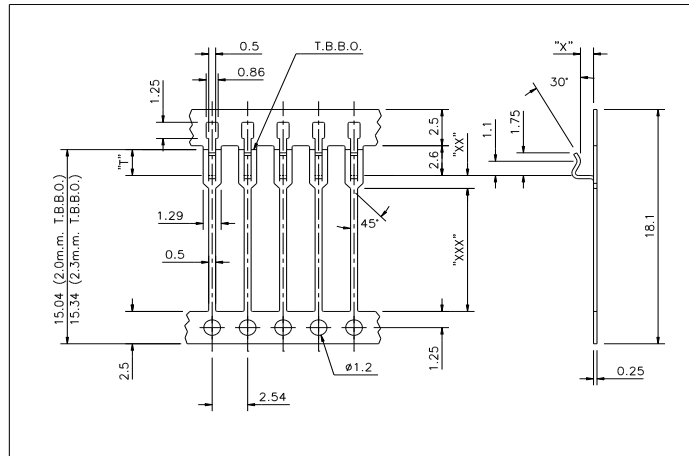
BA 4100 Series



All Dimensions in mm

Ordering Information						Technical Information						
Part Number	Top Bar Dim T	Bottom Bar Dim B	Plating Code	Qty per Reel	Wind Style	Material Thickness	Substrate Size	Gap Size Dim X	Stand Off Dim XX	Pin Length Dim XXX	Clip Length	MOQ
BA4100	2.00 (TA)	none (BZ)	1A / 4A	50K (F)	1 to 4	0.25	0.58-0.74	0.53	1.00	9.50	1.75	1 Reel
	2.30 (TJ)	none (BZ)	1A / 4A	50K (F)	1 to 4	0.25	0.58-0.74	0.53	1.00	9.50	1.75	1 Reel
BA4101	2.00 (TA)	none (BZ)	1A / 4A	40K (E)	1 to 4	0.25	0.75-0.90	0.70	1.00	9.50	1.75	1 Reel
	2.30 (TJ)	none (BZ)	1A / 4A	40K (E)	1 to 4	0.25	0.75-0.90	0.70	1.00	9.50	1.75	1 Reel
BA4102	2.00 (TA)	none (BZ)	1A / 4A	40K (E)	1 to 4	0.25	1.00-1.15	0.93	1.00	9.50	1.75	1 Reel
	2.30 (TJ)	none (BZ)	1A / 4A	40K (E)	1 to 4	0.25	1.00-1.15	0.93	1.00	9.50	1.75	1 Reel
BA4103	2.00 (TA)	none (BZ)	1A / 4A	40K (E)	1 to 4	0.25	1.24-1.40	1.18	1.00	9.50	1.75	1 Reel
	2.30 (TJ)	none (BZ)	1A / 4A	40K (E)	1 to 4	0.25	1.24-1.40	1.18	1.00	9.50	1.75	1 Reel
BA4104	2.00 (TA)	none (BZ)	1A / 4A	35K (D)	1 to 4	0.25	1.50-1.65	1.42	1.00	9.50	1.75	1 Reel

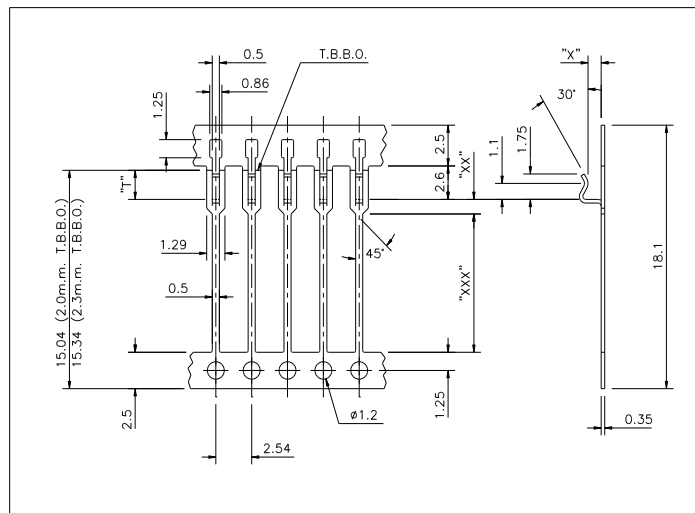
BA 4106 Series



All Dimensions in mm

Ordering Information						Technical Information						
Part Number	Top Bar Dim T	Bottom Bar Dim B	Plating Code	Qty per Reel	Wind Style	Material Thickness	Substrate Size	Gap Size Dim X	Stand Off Dim XX	Pin Length Dim XXX	Clip Length	MOQ
BA4106	2.00 (TA)	none (BZ)	1A / 4A	50K (F)	1 to 4	0.25	0.58-0.74	0.53	0.80	9.70	1.75	1 Reel
	2.30 (TJ)	none (BZ)	1A / 4A	50K (F)	1 to 4	0.25	0.58-0.74	0.53	0.80	9.70	1.75	1 Reel
BA4107	2.00 (TA)	none (BZ)	1A / 4A	40K (E)	1 to 4	0.25	0.75-0.90	0.70	0.80	9.70	1.75	480,000
	2.30 (TJ)	none (BZ)	1A / 4A	40K (E)	1 to 4	0.25	0.75-0.90	0.70	0.80	9.70	1.75	480,000
BA4108	2.00 (TA)	none (BZ)	1A / 4A	40K (E)	1 to 4	0.25	1.00-1.15	0.93	0.80	9.70	1.75	1 Reel
	2.30 (TJ)	none (BZ)	1A / 4A	40K (E)	1 to 4	0.25	1.00-1.15	0.93	0.80	9.70	1.75	1 Reel
BA4109	2.00 (TA)	none (BZ)	1A / 4A	40K (E)	1 to 4	0.25	1.24-1.40	1.18	0.80	9.70	1.75	480,000
	2.30 (TJ)	none (BZ)	1A / 4A	40K (E)	1 to 4	0.25	1.24-1.40	1.18	0.80	9.70	1.75	480,000

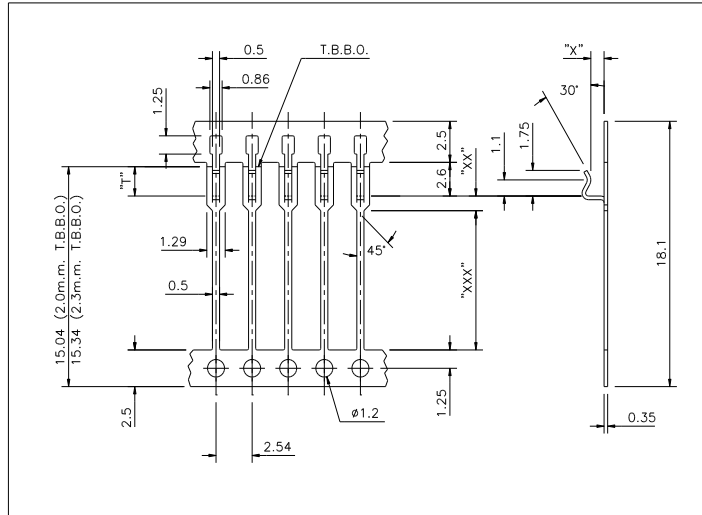
BA 4120 Series



All Dimensions in mm

Ordering Information						Technical Information						
Part Number	Top Bar Dim T	Bottom Bar Dim B	Plating Code	Qty per Reel	Wind Style	Material Thickness	Substrate Size	Gap Size Dim X	Stand Off Dim XX	Pin Length Dim XXX	Clip Length	MOQ
BA4120	2.00 (TA)	none (BZ)	1A / 4A	50K (F)	1 to 4	0.35	0.58-0.74	0.53	1.10	9.50	1.75	500,000
	2.30 (TJ)	none (BZ)	1A / 4A	50K (F)	1 to 4	0.35	0.58-0.74	0.53	1.10	9.50	1.75	500,000
BA4121	2.00 (TA)	none (BZ)	1A / 4A	40K (E)	1 to 4	0.35	0.75-0.90	0.70	1.10	9.50	1.75	480,000
	2.30 (TJ)	none (BZ)	1A / 4A	40K (E)	1 to 4	0.35	0.75-0.90	0.70	1.10	9.50	1.75	480,000
BA4122	2.00 (TA)	none (BZ)	1A / 4A	40K (E)	1 to 4	0.35	1.00-1.15	0.93	1.10	9.50	1.75	480,000
	2.30 (TJ)	none (BZ)	1A / 4A	40K (E)	1 to 4	0.35	1.00-1.15	0.93	1.10	9.50	1.75	480,000

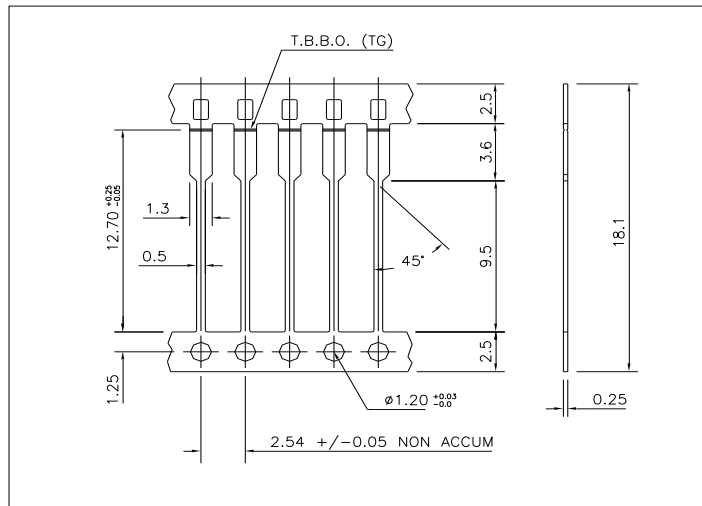
BA 4126 Series



All Dimensions in mm

Ordering Information						Technical Information						MOQ
Part Number	Top Bar Dim T	Bottom Bar Dim B	Plating Code	Qty per Reel	Wind Style	Material Thickness	Substrate Size	Gap Size Dim X	Stand Off Dim XX	Pin Length Dim XXX	Clip Length	
BA4126	2.00 (TA)	none (BZ)	1A / 4A	50K (F)	1 to 4	0.35	0.58-0.74	0.53	0.80	9.70	1.75	500,000
	2.30 (TJ)	none (BZ)	1A / 4A	50K (F)	1 to 4	0.35	0.58-0.74	0.53	0.80	9.70	1.75	500,000
BA4127	2.00 (TA)	none (BZ)	1A / 4A	40K (E)	1 to 4	0.35	0.75-0.90	0.70	0.80	9.70	1.75	480,000
	2.30 (TJ)	none (BZ)	1A / 4A	40K (E)	1 to 4	0.35	0.75-0.90	0.70	0.80	9.70	1.75	480,000
BA4128	2.00 (TA)	none (BZ)	1A / 4A	40K (E)	1 to 4	0.35	1.00-1.15	0.93	0.80	9.70	1.75	480,000
	2.30 (TJ)	none (BZ)	1A / 4A	40K (E)	1 to 4	0.35	1.00-1.15	0.93	0.80	9.70	1.75	480,000

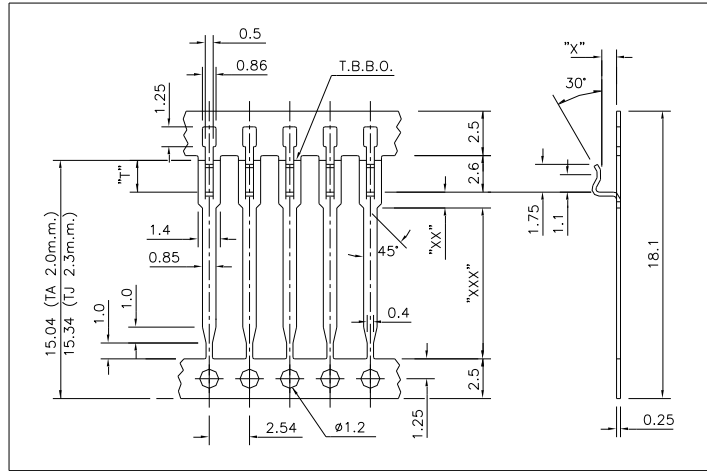
BA 4130 Series



All Dimensions in mm

Ordering Information						Technical Information						MOQ
Part Number	Top Bar Dim T	Bottom Bar Dim B	Plating Code	Qty per Reel	Wind Style	Material Thickness	Substrate Size	Gap Size Dim X	Stand Off Dim XX	Pin Length Dim XXX	Paddle Length	
BA4130	12.70 (TG)	none (BZ)	4A	100K (H)	1 or 2	0.25	N/A	N/A	N/A	9.50	2.80	500,000

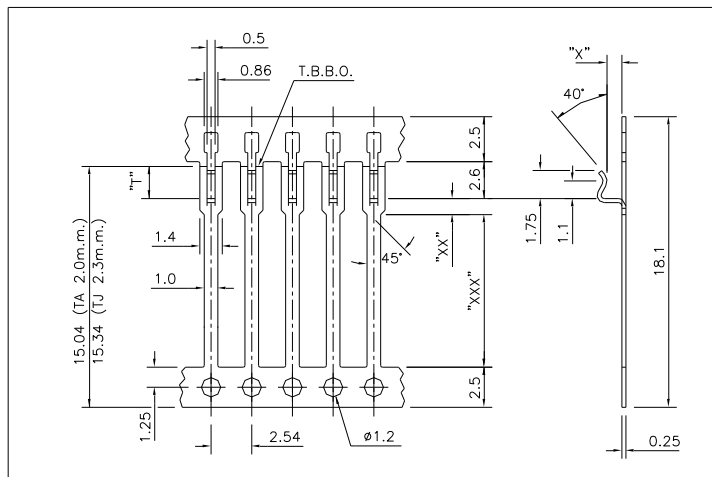
BA 4150 Series



All Dimensions in mm

Ordering Information						Technical Information						MOQ
Part Number	Top Bar Dim T	Bottom Bar Dim B	Plating Code	Qty per Reel	Wind Style	Material Thickness	Substrate Size	Gap Size Dim X	Stand Off Dim XX	Pin Length Dim XXX	Clip Length	
BA4150	2.00 (TA)	none (BZ)	1A / 4A	50K (F)	1 to 4	0.25	0.58-0.74	0.53	1.00	9.50	1.75	500,000
	2.30 (TJ)	none (BZ)	1A / 4A	50K (F)	1 to 4	0.25	0.58-0.74	0.53	1.00	9.50	1.75	500,000
BA4151	2.00 (TA)	none (BZ)	1A / 4A	40K (E)	1 to 4	0.25	0.75-0.90	0.70	1.00	9.50	1.75	480,000
	2.30 (TJ)	none (BZ)	1A / 4A	40K (E)	1 to 4	0.25	0.75-0.90	0.70	1.00	9.50	1.75	480,000
BA4152	2.00 (TA)	none (BZ)	1A / 4A	40K (E)	1 to 4	0.25	1.00-1.15	0.93	1.00	9.50	1.75	480,000
	2.30 (TJ)	none (BZ)	1A / 4A	40K (E)	1 to 4	0.25	1.00-1.15	0.93	1.00	9.50	1.75	480,000
BA4153	2.00 (TA)	none (BZ)	1A / 4A	40K (E)	1 to 4	0.25	1.24-1.40	1.18	1.00	9.50	1.75	480,000
	2.30 (TJ)	none (BZ)	1A / 4A	40K (E)	1 to 4	0.25	1.24-1.40	1.18	1.00	9.50	1.75	480,000

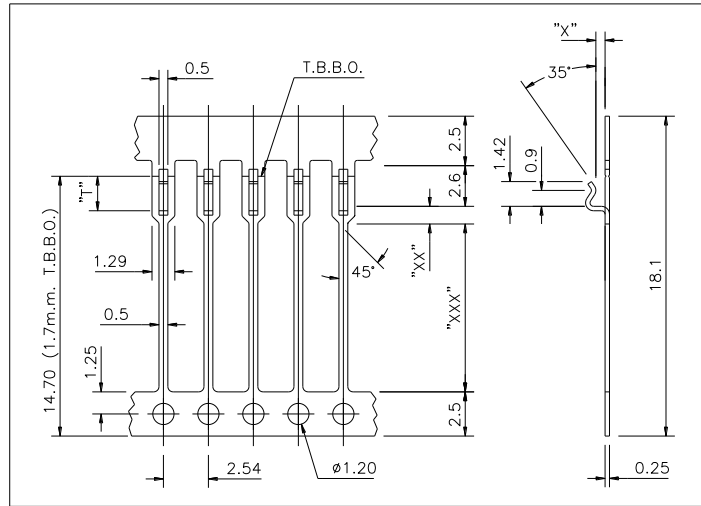
BA 4160 Series



All Dimensions in mm

Ordering Information						Technical Information						MOQ
Part Number	Top Bar Dim T	Bottom Bar Dim B	Plating Code	Qty per Reel	Wind Style	Material Thickness	Substrate Size	Gap Size Dim X	Stand Off Dim XX	Pin Length Dim XXX	Clip Length	
BA4160	2.00 (TA)	none (BZ)	1A / 4A	50K (F)	1 to 4	0.25	0.58-0.74	0.53	1.00	9.50	1.75	500,000
	2.30 (TJ)	none (BZ)	1A / 4A	50K (F)	1 to 4	0.25	0.58-0.74	0.53	1.00	9.50	1.75	500,000
BA4161	2.00 (TA)	none (BZ)	1A / 4A	40K (E)	1 to 4	0.25	0.75-0.90	0.70	1.00	9.50	1.75	480,000
	2.30 (TJ)	none (BZ)	1A / 4A	40K (E)	1 to 4	0.25	0.75-0.90	0.70	1.00	9.50	1.75	480,000
BA4162	2.00 (TA)	none (BZ)	1A / 4A	40K (E)	1 to 4	0.25	1.00-1.15	0.93	1.00	9.50	1.75	480,000
	2.30 (TJ)	none (BZ)	1A / 4A	40K (E)	1 to 4	0.25	1.00-1.15	0.93	1.00	9.50	1.75	480,000
BA4163	2.00 (TA)	none (BZ)	1A / 4A	40K (E)	1 to 4	0.25	1.24-1.40	1.18	1.00	9.50	1.75	480,000
	2.30 (TJ)	none (BZ)	1A / 4A	40K (E)	1 to 4	0.25	1.24-1.40	1.18	1.00	9.50	1.75	480,000

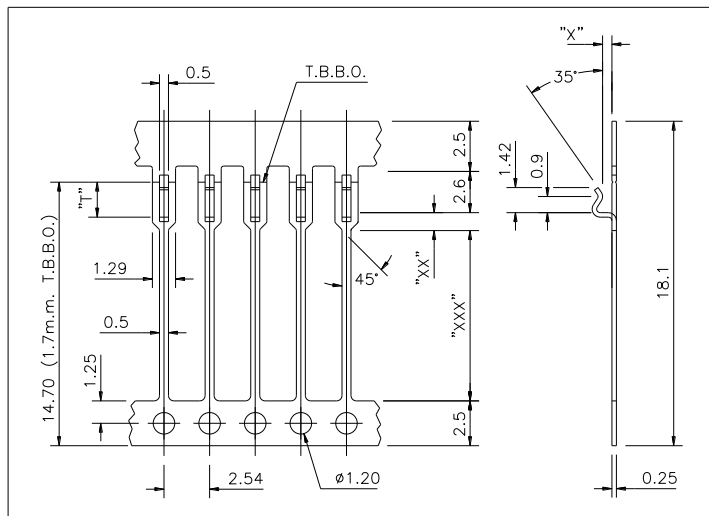
BA 4180 Series



All Dimensions in mm

Ordering Information						Technical Information						
Part Number	Top Bar Dim T	Bottom Bar Dim B	Plating Code	Qty per Reel	Wind Style	Material Thickness	Substrate Size	Gap Size Dim X	Stand Off Dim XX	Pin Length Dim XXX	Clip Length	MOQ
BA4180	1.70 (UG)	none (BZ)	1A/4A	50K (F)	1 to 4	0.25	0.61-0.69	0.52	1.00	9.50	1.42	500,000

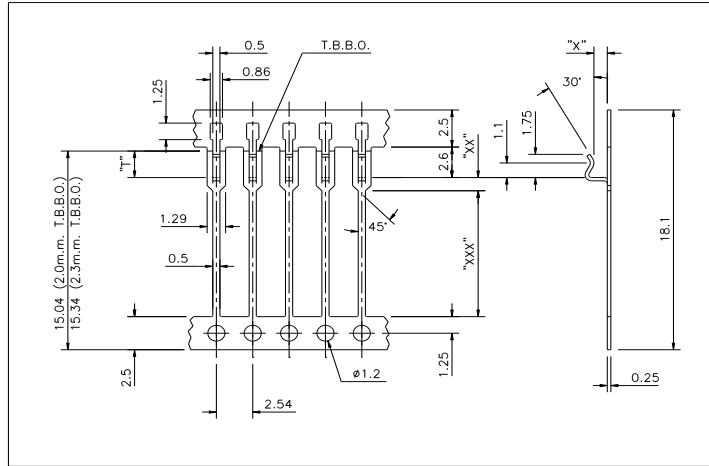
BA 4190 Series



All Dimensions in mm

Ordering Information						Technical Information						
Part Number	Top Bar Dim T	Bottom Bar Dim B	Plating Code	Qty per Reel	Wind Style	Material Thickness	Substrate Size	Gap Size Dim X	Stand Off Dim XX	Pin Length Dim XXX	Clip Length	MOQ
BA4190	1.70 (UG)	none (BZ)	1A/4A	50K (F)	1 to 4	0.25	0.61-0.69	0.52	0.80	9.70	1.42	500,000
BA4192	1.70 (UG)	none (BZ)	1A/4A	40K (E)	1 to 4	0.25	1.00-1.15	0.93	0.80	9.70	1.42	480,000

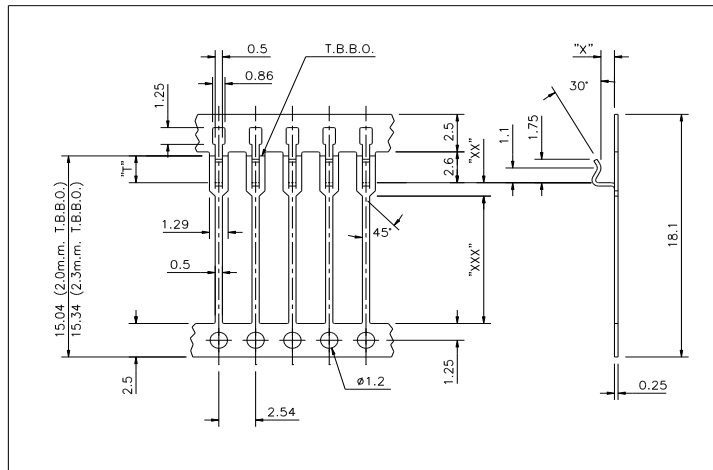
BA 4300 Series



All Dimensions in mm

Ordering Information						Technical Information						
Part Number	Top Bar Dim T	Bottom Bar Dim B	Plating Code	Qty per Reel	Wind Style	Material Thickness	Substrate Size	Gap Size Dim X	Stand Off Dim XX	Pin Length Dim XXX	Clip Length	MOQ
BA4300	2.00 (TA)	none (BZ)	1A / 4A	50K (F)	1 to 4	0.25	0.58-0.74	0.53	1.70	8.80	1.75	1 Reel
	2.30 (TJ)	none (BZ)	1A / 4A	50K (F)	1 to 4	0.25	0.58-0.74	0.53	1.70	8.80	1.75	1 Reel
BA4301	2.00 (TA)	none (BZ)	1A / 4A	40K (E)	1 to 4	0.25	0.75-0.90	0.70	1.70	8.80	1.75	480,000
	2.30 (TJ)	none (BZ)	1A / 4A	40K (E)	1 to 4	0.25	0.75-0.90	0.70	1.70	8.80	1.75	480,000
BA4302	2.00 (TA)	none (BZ)	1A / 4A	40K (E)	1 to 4	0.25	1.00-1.15	0.93	1.70	8.80	1.75	480,000
	2.30 (TJ)	none (BZ)	1A / 4A	40K (E)	1 to 4	0.25	1.00-1.15	0.93	1.70	8.80	1.75	480,000
BA4303	2.00 (TA)	none (BZ)	1A / 4A	40K (E)	1 to 4	0.25	1.24-1.40	1.18	1.70	8.80	1.75	1 Reel
	2.30 (TJ)	none (BZ)	1A / 4A	40K (E)	1 to 4	0.25	1.24-1.40	1.18	1.70	8.80	1.75	1 Reel
BA4304	2.00 (TA)	none (BZ)	1A / 4A	35K (D)	1 to 4	0.25	1.50-1.65	1.42	1.70	8.80	1.75	490,000
	2.30 (TJ)	none (BZ)	1A / 4A	35K (D)	1 to 4	0.25	1.50-1.65	1.42	1.70	8.80	1.75	490,000

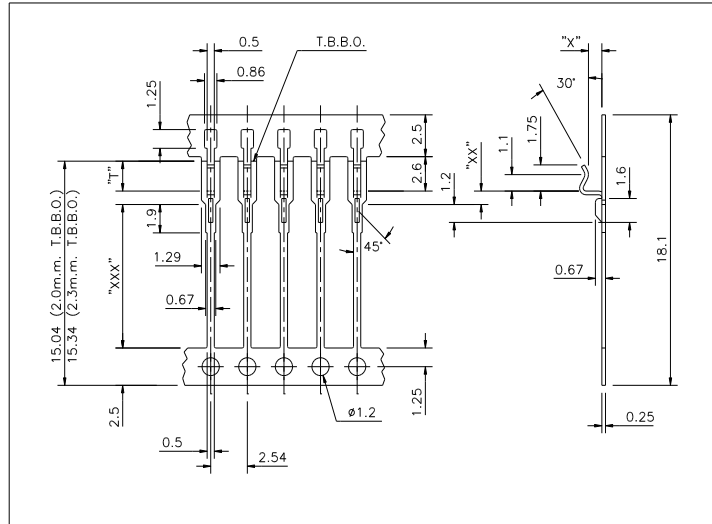
BA 4400 Series



All Dimensions in mm

Ordering Information						Technical Information						
Part Number	Top Bar Dim T	Bottom Bar Dim B	Plating Code	Qty per Reel	Wind Style	Material Thickness	Substrate Size	Gap Size Dim X	Stand Off Dim XX	Pin Length Dim XXX	Clip Length	MOQ
BA4401	2.00 (TA)	none (BZ)	1A / 4A	40K (E)	1 to 4	0.25	0.58-0.74	0.53	1.70	8.80	1.75	480,000
	2.30 (TJ)	none (BZ)	1A / 4A	40K (E)	1 to 4	0.25	0.58-0.74	0.53	1.70	8.80	1.75	480,000
BA4402	2.00 (TA)	none (BZ)	1A / 4A	40K (E)	1 to 4	0.25	0.75-0.90	0.70	1.70	8.80	1.75	480,000
	2.30 (TJ)	none (BZ)	1A / 4A	40K (E)	1 to 4	0.25	0.75-0.90	0.70	1.70	8.80	1.75	480,000

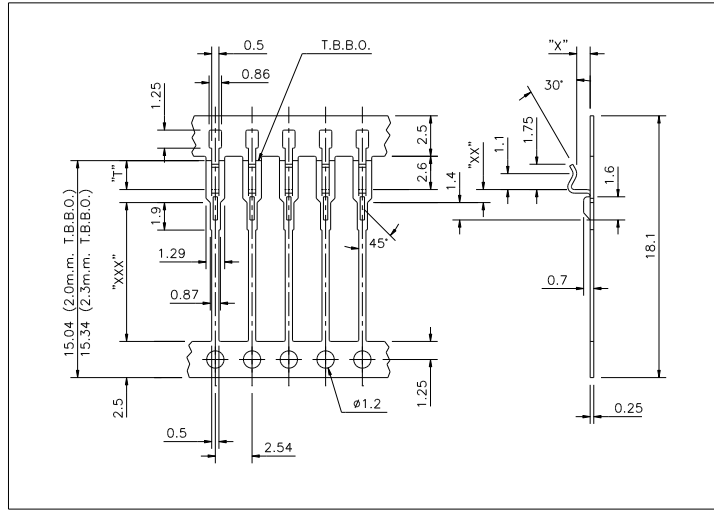
BA 4500 Series



All Dimensions in mm

Ordering Information						Technical Information						
Part Number	Top Bar Dim T	Bottom Bar Dim B	Plating Code	Qty per Reel	Wind Style	Material Thickness	Substrate Size	Gap Size Dim X	Stand Off Dim XX	Pin Length Dim XXX	Clip Length	MOQ
BA4500	2.00 (TA)	none (BZ)	1A / 4A	50K (F)	1 to 4	0.25	0.58-0.74	0.53	1.00	9.50	1.75	500,000
	2.30 (TJ)	none (BZ)	1A / 4A	50K (F)	1 to 4	0.25	0.58-0.74	0.53	1.00	9.50	1.75	500,000
BA4501	2.00 (TA)	none (BZ)	1A / 4A	40K (E)	1 to 4	0.25	0.75-0.90	0.70	1.00	9.50	1.75	480,000
	2.30 (TJ)	none (BZ)	1A / 4A	40K (E)	1 to 4	0.25	0.75-0.90	0.70	1.00	9.50	1.75	480,000
BA4502	2.00 (TA)	none (BZ)	1A / 4A	40K (E)	1 to 4	0.25	1.00-1.15	0.93	1.00	9.50	1.75	480,000
	2.30 (TJ)	none (BZ)	1A / 4A	40K (E)	1 to 4	0.25	1.00-1.15	0.93	1.00	9.50	1.75	480,000
BA4503	2.00 (TA)	none (BZ)	1A / 4A	40K (E)	1 to 4	0.25	1.24-1.40	1.18	1.00	9.50	1.75	480,000
	2.30 (TJ)	none (BZ)	1A / 4A	40K (E)	1 to 4	0.25	1.24-1.40	1.18	1.00	9.50	1.75	480,000

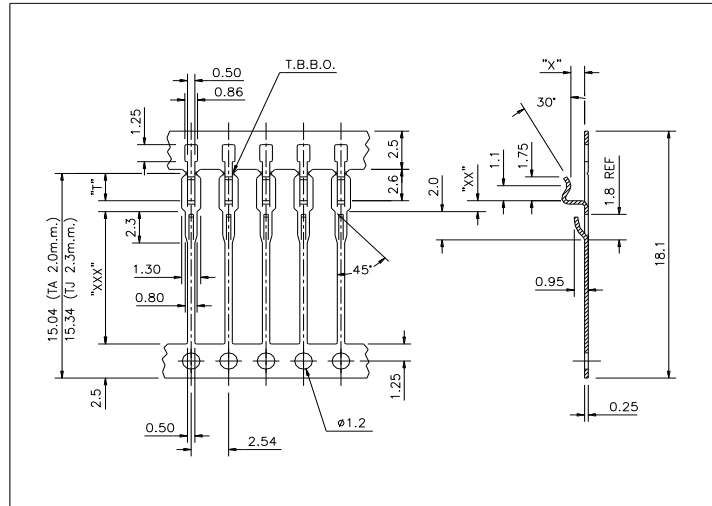
BA 4600 Series



All Dimensions in mm

Ordering Information						Technical Information						MOQ
Part Number	Top Bar Dim T	Bottom Bar Dim B	Plating Code	Qty per Reel	Wind Style	Material Thickness	Substrate Size	Gap Size Dim X	Stand Off Dim XX	Pin Length Dim XXX	Clip Length	
BA4600	2.00 (TA)	none (BZ)	1A / 4A	50K (F)	1 to 4	0.25	0.58-0.74	0.53	0.80	9.70	1.75	1 Reel
	2.30 (TJ)	none (BZ)	1A / 4A	50K (F)	1 to 4	0.25	0.58-0.74	0.53	0.80	9.70	1.75	1 Reel
	none (TZ)	none (BZ)	1A / 4A	50K (F)	1 to 4	0.25	0.58-0.74	0.53	0.80	9.70	1.75	1 Reel
BA4601	2.00 (TA)	none (BZ)	1A / 4A	40K (E)	1 to 4	0.25	0.75-0.90	0.70	0.80	9.70	1.75	480,000
	2.30 (TJ)	none (BZ)	1A / 4A	40K (E)	1 to 4	0.25	0.75-0.90	0.70	0.80	9.70	1.75	480,000
	none (TZ)	none (BZ)	1A / 4A	40K (E)	1 to 4	0.25	0.75-0.90	0.70	0.80	9.70	1.75	480,000
BA4602	2.00 (TA)	none (BZ)	1A / 4A	40K (E)	1 to 4	0.25	1.00-1.15	0.93	0.80	9.70	1.75	1 Reel
	2.30 (TJ)	none (BZ)	1A / 4A	40K (E)	1 to 4	0.25	1.00-1.15	0.93	0.80	9.70	1.75	1 Reel
	none (TZ)	none (BZ)	1A / 4A	40K (E)	1 to 4	0.25	1.00-1.15	0.93	0.80	9.70	1.75	1 Reel
BA4603	2.00 (TA)	none (BZ)	1A / 4A	40K (E)	1 to 4	0.25	1.24-1.40	1.18	0.80	9.70	1.75	480,000
	2.30 (TJ)	none (BZ)	1A / 4A	40K (E)	1 to 4	0.25	1.24-1.40	1.18	0.80	9.70	1.75	480,000
	none (TZ)	none (BZ)	1A / 4A	40K (E)	1 to 4	0.25	1.24-1.40	1.18	0.80	9.70	1.75	480,000

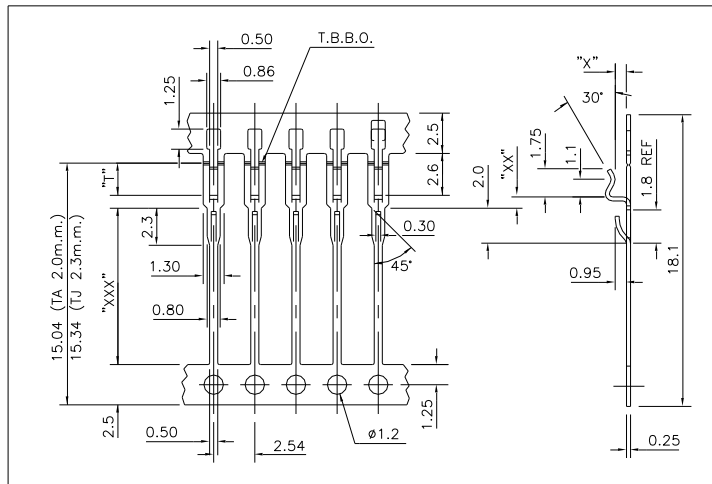
BA 4610 Series



All Dimensions in mm

Ordering Information						Technical Information						
Part Number	Top Bar Dim T	Bottom Bar Dim B	Plating Code	Qty per Reel	Wind Style	Material Thickness	Substrate Size	Gap Size Dim X	Stand Off Dim XX	Pin Length Dim XXX	Clip Length	MOQ
BA4610	2.30 (TJ)	none (BZ)	1A / 4A	50K (F)	1 to 4	0.25	0.58-0.74	0.53	0.80	9.70	1.75	1 Reel
	none (TZ)	none (BZ)	1A / 4A	50K (F)	1 to 4	0.25	0.58-0.74	0.53	0.80	9.70	1.75	1 Reel
BA4612	2.30 (TJ)	none (BZ)	1A / 4A	40K (E)	1 to 4	0.25	0.63-0.80	0.62	0.80	9.70	1.75	480,000
	none (TZ)	none (BZ)	1A / 4A	40K (E)	1 to 4	0.25	0.63-0.80	0.62	0.80	9.70	1.75	480,000
BA4613	2.30 (TJ)	none (BZ)	1A / 4A	40K (E)	1 to 4	0.25	1.00-1.15	0.93	0.80	9.70	1.75	480,000
	none (TZ)	none (BZ)	1A / 4A	40K (E)	1 to 4	0.25	1.00-1.15	0.93	0.80	9.70	1.75	480,000

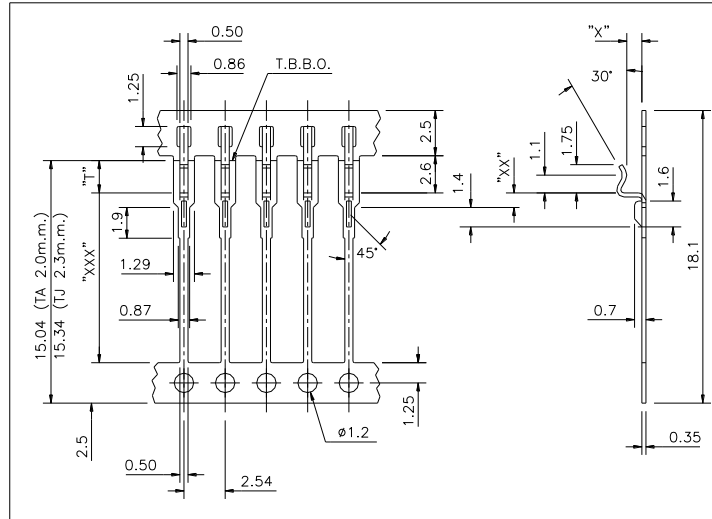
BA 4615 Series



All Dimensions in mm

Ordering Information						Technical Information						
Part Number	Top Bar Dim T	Bottom Bar Dim B	Plating Code	Qty per Reel	Wind Style	Material Thickness	Substrate Size	Gap Size Dim X	Stand Off Dim XX	Pin Length Dim XXX	Clip Length	MOQ
BA4615	2.00 (TA)	none (BZ)	1A / 4A	40K (E)	1 to 4	0.25	0.75-0.90	0.70	0.80	9.70	1.75	480,000
	2.30 (TJ)	none (BZ)	1A / 4A	40K (E)	1 to 4	0.25	0.75-0.90	0.70	0.80	9.70	1.75	480,000
	none (TZ)	none (BZ)	1A / 4A	40K (E)	1 to 4	0.25	0.75-0.90	0.70	0.80	9.70	1.75	480,000

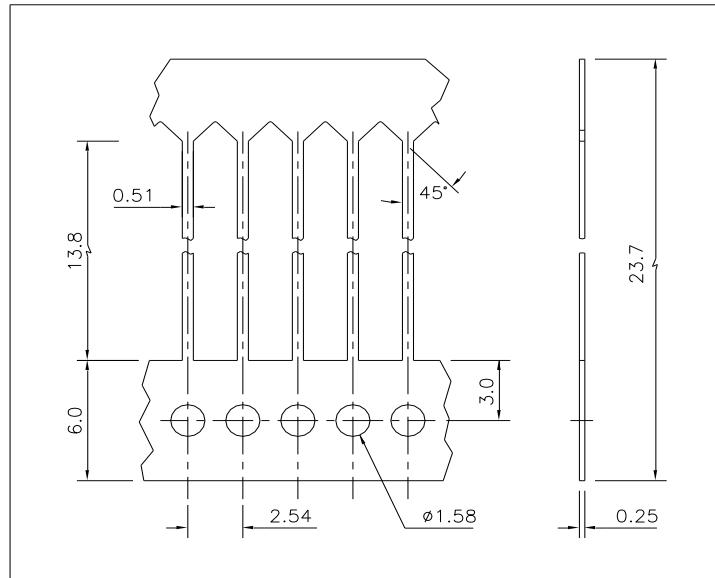
BA 4900 Series



All Dimensions in mm

Ordering Information						Technical Information						
Part Number	Top Bar Dim T	Bottom Bar Dim B	Plating Code	Qty per Reel	Wind Style	Material Thickness	Substrate Size	Gap Size Dim X	Stand Off Dim XX	Pin Length Dim XXX	Clip Length	MOQ
BA4900	2.00 (TA)	none (BZ)	1A / 4A	20K (A)	1 to 4	0.35	2.46-2.59	2.39	0.90	9.70	1.75	480,000
	2.30 (TJ)	none (BZ)	1A / 4A	20K (A)	1 to 4	0.35	2.46-2.59	2.39	0.90	9.70	1.75	480,000
BA4901	2.00 (TA)	none (BZ)	1A / 4A	40K (E)	1 to 4	0.35	1.00-1.15	0.93	0.90	9.70	1.75	480,000
	2.30 (TJ)	none (BZ)	1A / 4A	40K (E)	1 to 4	0.35	1.00-1.15	0.93	0.90	9.70	1.75	480,000
BA4902	2.00 (TA)	none (BZ)	1A / 4A	35K (D)	1 to 4	0.35	1.50-1.65	1.42	0.90	9.70	1.75	490,000

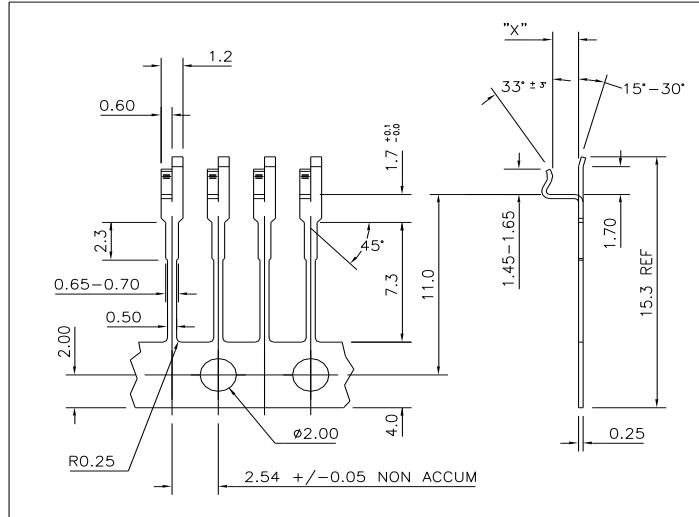
BA 5020 Series



All Dimensions in mm

Ordering Information						Technical Information						
Part Number	Top Bar Dim T	Bottom Bar Dim B	Plating Code	Qty per Reel	Wind Style	Material Thickness	Substrate Size	Gap Size Dim X	Stand Off Dim XX	Pin Length Dim XXX	Clip Length	MOQ
BA5020	none (TZ)	none (BZ)	4A	100K (H)	1 to 4	0.25	N/A	N/A	N/A	13.80	N/A	500,000

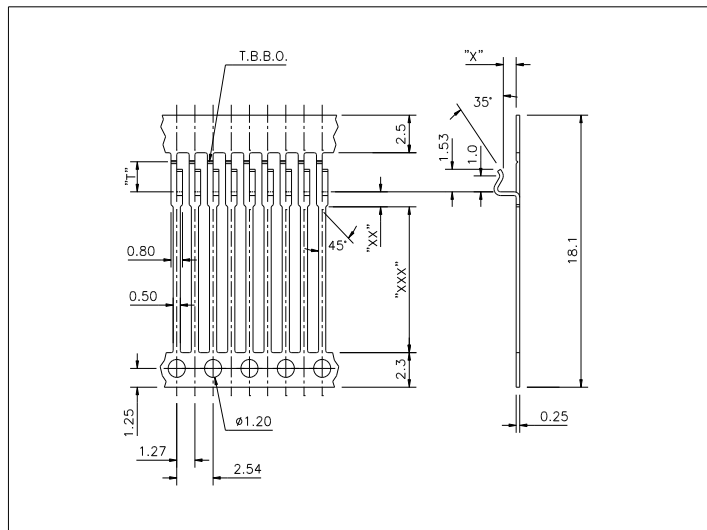
BA 5200 Series



All Dimensions in mm

Ordering Information						Technical Information						
Part Number	Top Bar Dim T	Bottom Bar Dim B	Plating Code	Qty per Reel	Wind Style	Material Thickness	Substrate Size	Gap Size Dim X	Stand Off Dim XX	Pin Length Dim XXX	Clip Length	MOQ
BA5200	none (TZ)	none (BZ)	4A	50K (F)	1 to 4	0.25	0.62-0.70	0.54	1.70	7.30	1.55	500,000
BA5201	none (TZ)	none (BZ)	4A	50K (F)	1 to 4	0.25	1.47-1.55	1.42	1.70	7.30	1.55	500,000

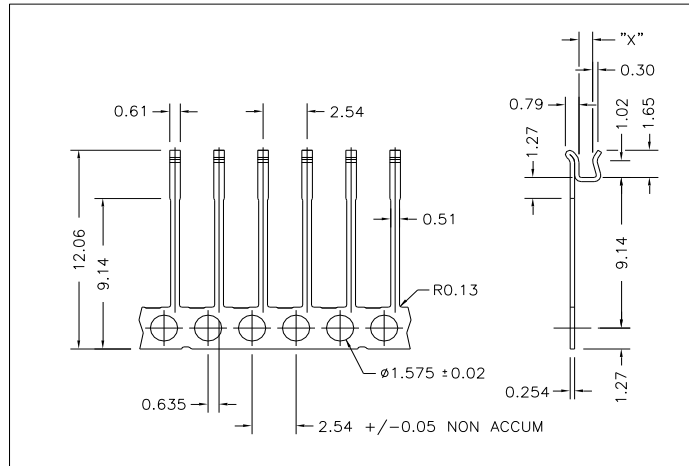
BA 6200 Series



All Dimensions in mm

Ordering Information						Technical Information						
Part Number	Top Bar Dim T	Bottom Bar Dim B	Plating Code	Qty per Reel	Wind Style	Material Thickness	Substrate Size	Gap Size Dim X	Stand Off Dim XX	Pin Length Dim XXX	Clip Length	MOQ
BA6200	2.00 (TA)	none (BZ)	4A	100K (H)	1 to 4	0.25	0.58-0.74	0.53	1.00	9.70	1.53	500,000
BA6201	2.00 (TA)	none (BZ)	4A	80K (G)	1 to 4	0.25	1.00-1.15	0.88	1.00	9.70	1.53	480,000

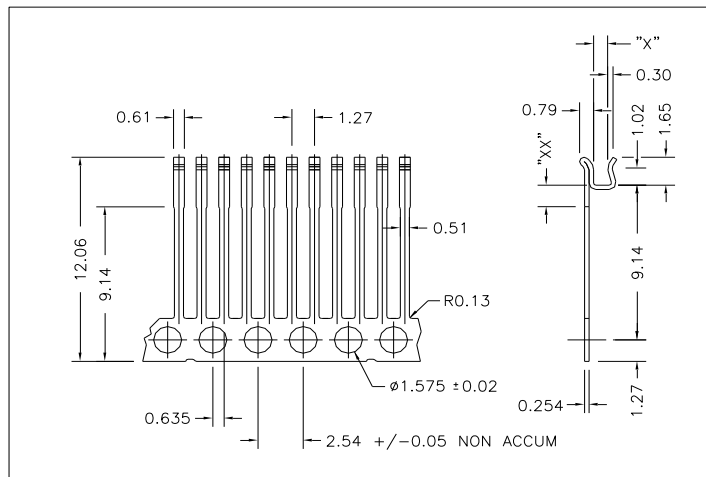
BA 6440 Series



All Dimensions in mm

Ordering Information						Technical Information						
Part Number	Top Bar Dim T	Bottom Bar Dim B	Plating Code	Qty per Reel	Wind Style	Material Thickness	Substrate Size	Gap Size Dim X	Stand Off Dim XX	Pin Length Dim XXX	Clip Length	MOQ
	BA6440	none (TZ)		none (BZ)	4A			40K (E)	1 to 4	0.25		
	none (TZ)	none (BZ)	Z	40K (E)	1 to 4	0.25	2.46-2.59	2.39	0.90	9.70	1.75	480,000

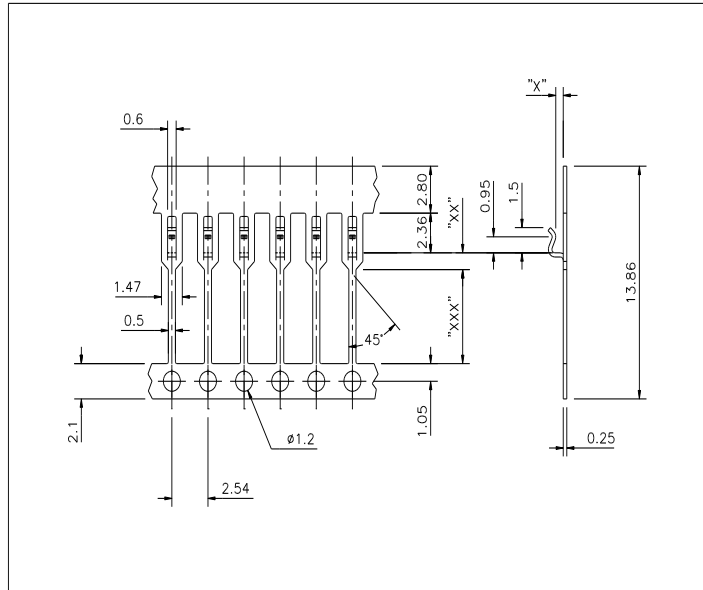
BA 6460 Series



All Dimensions in mm

Ordering Information						Technical Information						
Part Number	Top Bar Dim T	Bottom Bar Dim B	Plating Code	Qty per Reel	Wind Style	Material Thickness	Substrate Size	Gap Size Dim X	Stand Off Dim XX	Pin Length Dim XXX	Clip Length	MOQ
	BA6460	none (TZ)		none (BZ)	4A			80K (G)	1 to 4	0.25		
	none (TZ)	none (BZ)	Z	80K (G)	1 to 4	0.25	0.89-1.05	0.79	1.27	N/A	1.65	480,000

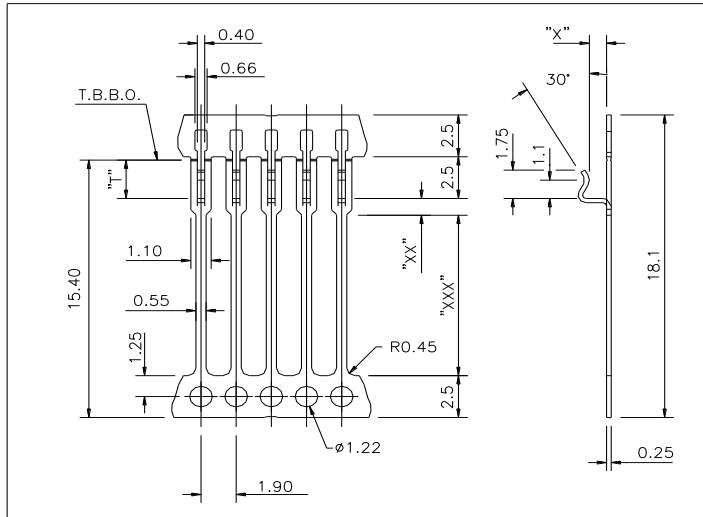
BA 7000 Series



All Dimensions in mm

Ordering Information						Technical Information						
Part Number	Top Bar Dim T	Bottom Bar Dim B	Plating Code	Qty per Reel	Wind Style	Material Thickness	Substrate Size	Gap Size Dim X	Stand Off Dim XX	Pin Length Dim XXX	Clip Length	MOQ
BA7000	none (TZ)	none (BZ)	1A	50K (F)	1 to 4	0.25	0.62-0.70	0.53	1.00	5.60	1.50	500,000

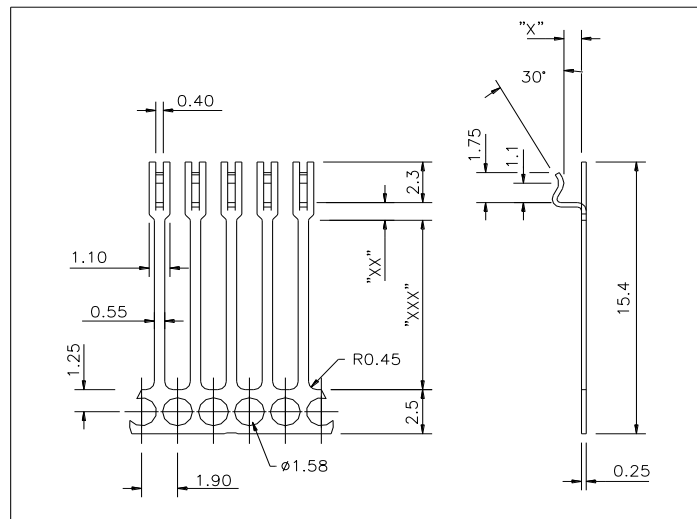
BA 7200 Series



All Dimensions in mm

Ordering Information						Technical Information						
Part Number	Top Bar Dim T	Bottom Bar Dim B	Plating Code	Qty per Reel	Wind Style	Material Thickness	Substrate Size	Gap Size Dim X	Stand Off Dim XX	Pin Length Dim XXX	Clip Length	MOQ
BA7200	2.30 (TJ)	none (BZ)	4A	75K (K)	1 to 4	0.25	0.62-0.70	0.53	1.00	9.60	1.75	525,000
BA7202	2.30 (TJ)	none (BZ)	4A	60K (J)	1 to 4	0.25	1.00-1.08	0.93	1.00	9.60	1.75	480,000

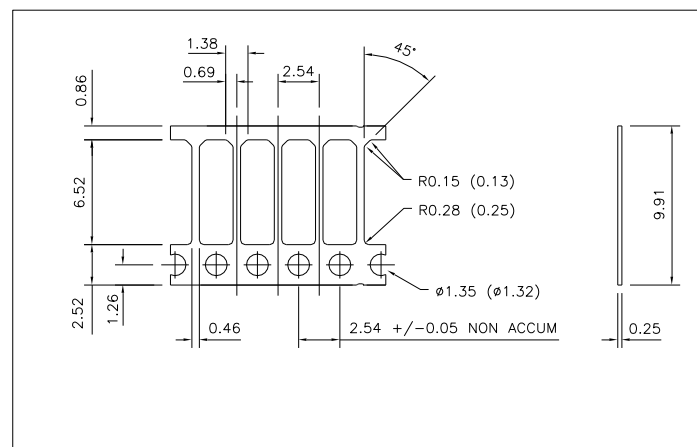
BA 7210 Series



All Dimensions in mm

Ordering Information						Technical Information						
Part Number	Top Bar Dim T	Bottom Bar Dim B	Plating Code	Qty per Reel	Wind Style	Material Thickness	Substrate Size	Gap Size Dim X	Stand Off Dim XX	Pin Length Dim XXX	Clip Length	MOQ
BA7210	none (TZ)	none (BZ)	4A	75K (K)	1 to 4	0.25	0.62-0.70	0.53	1.00	9.60	1.75	525,000
BA7212	none (TZ)	none (BZ)	4A	60K (J)	1 to 4	0.25	1.00-1.08	0.93	1.00	9.60	1.75	480,000

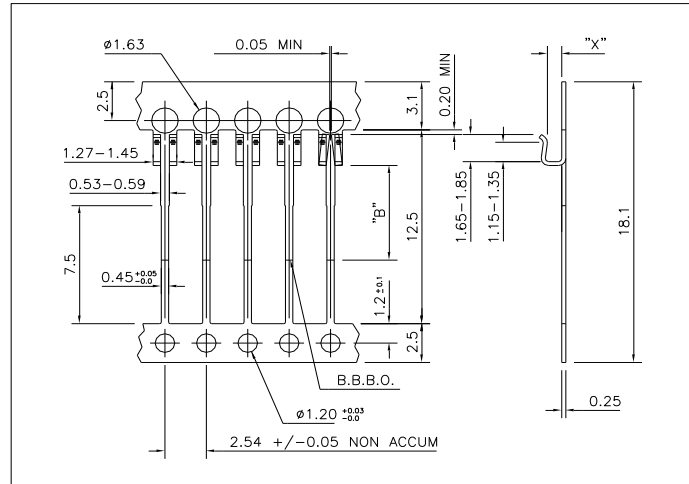
BA 7300 Series



All Dimensions in mm

Ordering Information						Technical Information						
Part Number	Top Bar Dim T	Bottom Bar Dim B	Plating Code	Qty per Reel	Wind Style	Material Thickness	Substrate Size	Gap Size Dim X	Stand Off Dim XX	Pin Length Dim XXX	Clip Length	MOQ
BA7300	none (TZ)	none (BZ)	4A	160K (M)	1 to 4	0.25	N/A	N/A	N/A	5.80	N/A	800,000
	none (TZ)	none (BZ)	Z	160K (M)	1 to 4	0.25	N/A	N/A	N/A	5.80	N/A	800,000

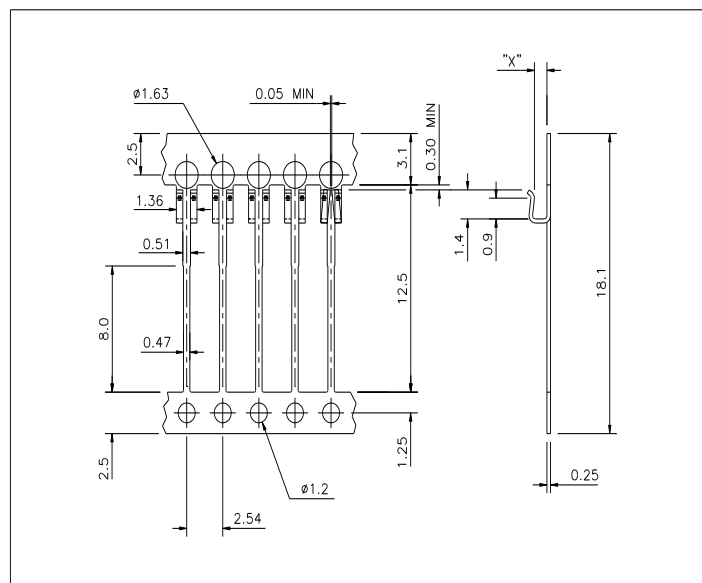
BA 9000 Series



All Dimensions in mm

Ordering Information						Technical Information						
Part Number	Top Bar Dim T	Bottom Bar Dim B	Plating Code	Qty per Reel	Wind Style	Material Thickness	Substrate Size	Gap Size Dim X	Stand Off Dim XX	Pin Length Dim XXX	Clip Length	MOQ
BA9000	none (TZ)	none (BZ)	1A / 4A	50K (F)	1 to 4	0.25	0.62-0.70	0.53	0.80	9.70	1.75	500,000
	none (TZ)	4.00 (BF)	1A / 4A	50K (F)	1 to 4	0.25	0.62-0.70	0.53	0.80	9.70	1.75	500,000
	none (TZ)	6.10 (BG)	1A / 4A	50K (F)	1 to 4	0.25	0.62-0.70	0.53	0.80	9.70	1.75	500,000
BA9001	none (TZ)	4.00 (BF)	1A / 4A	50K (F)	1 to 4	0.25	1.00-1.08	0.70	0.80	9.70	1.75	500,000
	none (TZ)	6.10 (BG)	1A / 4A	50K (F)	1 to 4	0.25	1.00-1.08	0.70	0.80	9.70	1.75	500,000

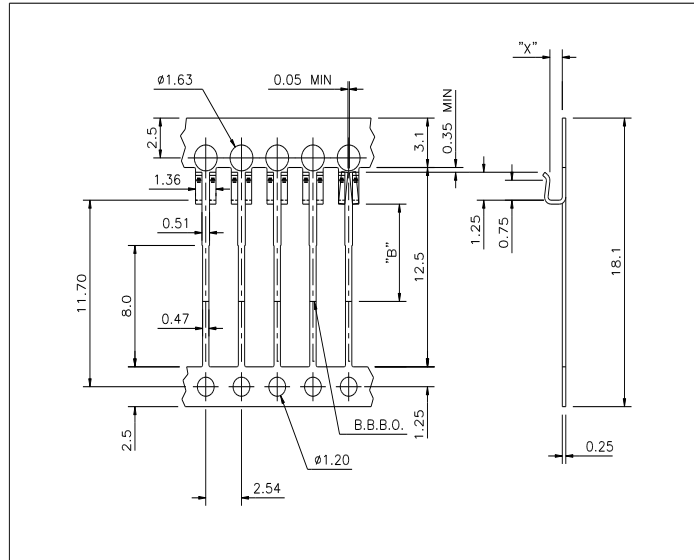
BA 9010 Series



All Dimensions in mm

Ordering Information						Technical Information						
Part Number	Top Bar Dim T	Bottom Bar Dim B	Plating Code	Qty per Reel	Wind Style	Material Thickness	Substrate Size	Gap Size Dim X	Stand Off Dim XX	Pin Length Dim XXX	Clip Length	MOQ
BA9010	none (TZ)	none (BZ)	1A/4A	40K (E)	1 to 4	0.25	1.00-1.08	0.93	-	-	1.40	480,000

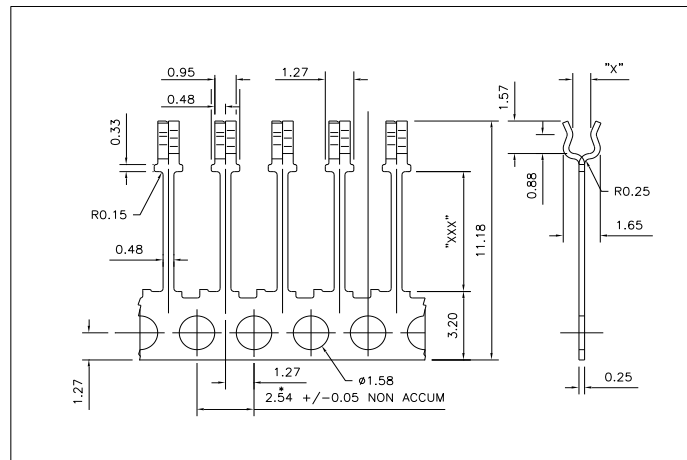
BA 9200 Series



All Dimensions in mm

Ordering Information						Technical Information						
Part Number	Top Bar Dim T	Bottom Bar Dim B	Plating Code	Qty per Reel	Wind Style	Material Thickness	Substrate Size	Gap Size Dim X	Stand Off Dim XX	Pin Length Dim XXX	Clip Length	MOQ
BA9200	none (TZ)	none (BZ)	1A / 4A	50K (F)	1 to 4	0.25	0.62-0.70	0.53	0.80	9.70	1.75	500,000
	none (TZ)	4.00 (BF)	1A / 4A	50K (F)	1 to 4	0.25	0.62-0.70	0.53	0.80	9.70	1.75	500,000
	none (TZ)	6.10 (BG)	1A / 4A	50K (F)	1 to 4	0.25	0.62-0.70	0.53	0.80	9.70	1.75	500,000

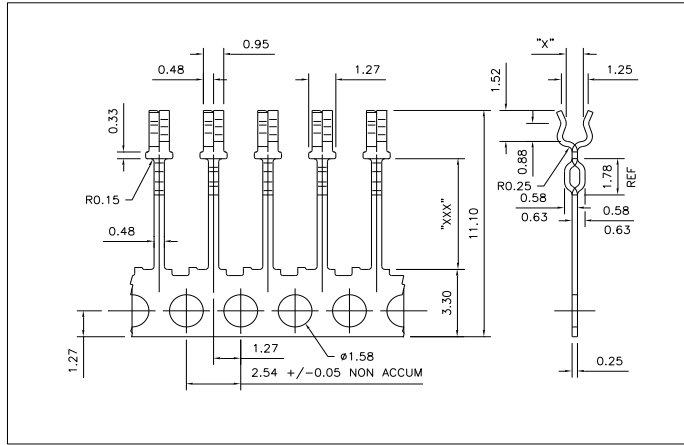
BA 5600 Series



All Dimensions in mm

Ordering Information						Technical Information						
Part Number	Top Bar Dim T	Bottom Bar Dim B	Plating Code	Qty per Reel	Wind Style	Material Thickness	Substrate Size	Gap Size Dim X	Stand Off Dim XX	Pin Length Dim XXX	Clip Length	MOQ
BA5600	none (TZ)	none (BZ)	4A	50K (F)	1 to 4	0.25	0.62-0.71	0.56	0.95	5.61	1.52	500,000
BA5601	none (TZ)	none (BZ)	4A	50K (F)	1 to 4	0.25	0.89-0.97	0.80	0.95	5.61	1.52	None

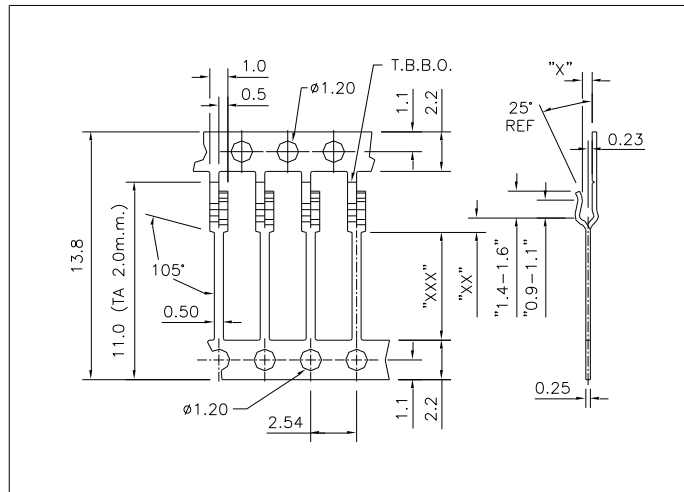
BA 5700 Series



All Dimensions in mm

Ordering Information						Technical Information						
Part Number	Top Bar Dim T	Bottom Bar Dim B	Plating Code	Qty per Reel	Wind Style	Material Thickness	Substrate Size	Gap Size Dim X	Stand Off Dim XX	Pin Length Dim XXX	Clip Length	MOQ
BA5701	none (TZ)	none (BZ)	4A	50K (F)	1 to 4	0.25	0.89-0.97	0.80	0.95	5.40	1.52	500,000

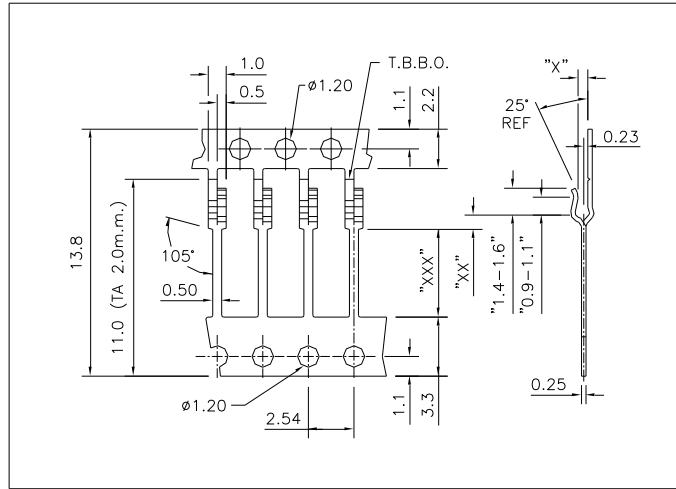
BA 5800 Series



All Dimensions in mm

Ordering Information						Technical Information						
Part Number	Top Bar Dim T	Bottom Bar Dim B	Plating Code	Qty per Reel	Wind Style	Material Thickness	Substrate Size	Gap Size Dim X	Stand Off Dim XX	Pin Length Dim XXX	Clip Length	MOQ
BA5800	2.00 (TA)	none (BZ)	4A	50K (F)	1 to 4	0.25	0.62-0.70	0.53	0.70	6.00	1.50	500,000
	none (TZ)	none (BZ)	4A	50K (F)	1 to 4	0.25	0.62-0.70	0.53	0.70	6.00	1.50	500,000
	1.85 (UH)	none (BZ)	4A	50K (F)	1 to 4	0.25	0.62-0.70	0.53	0.70	6.00	1.50	500,000

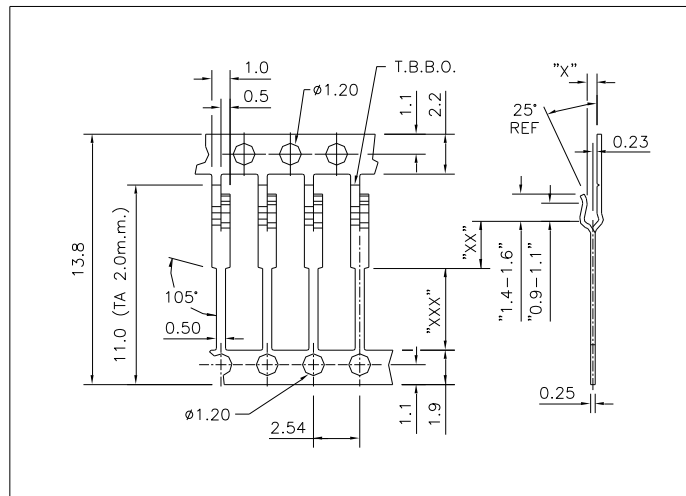
BA 5810 Series



All Dimensions in mm

Ordering Information						Technical Information						
Part Number	Top Bar Dim T	Bottom Bar Dim B	Plating Code	Qty per Reel	Wind Style	Material Thickness	Substrate Size	Gap Size Dim X	Stand Off Dim XX	Pin Length Dim XXX	Clip Length	MOQ
BA5810	2.00 (TA)	none (BZ)	4A	50K (F)	1 to 4	0.25	0.62-0.70	0.53	1.10	4.50	1.50	500,000
	none (TZ)	none (BZ)	4A	50K (F)	1 to 4	0.25	0.62-0.70	0.53	1.10	4.50	1.50	500,000
	1.85 (UH)	none (BZ)	4A	50K (F)	1 to 4	0.25	0.62-0.70	0.53	1.10	4.50	1.50	500,000

BA 5820 Series



All Dimensions in mm

Ordering Information						Technical Information						
Part Number	Top Bar Dim T	Bottom Bar Dim B	Plating Code	Qty per Reel	Wind Style	Material Thickness	Substrate Size	Gap Size Dim X	Stand Off Dim XX	Pin Length Dim XXX	Clip Length	MOQ
BA5820	2.00 (TA)	none (BZ)	4A	50K (F)	1 to 4	0.25	0.62-0.70	0.53	2.50	4.50	1.50	500,000
	none (TZ)	none (BZ)	4A	50K (F)	1 to 4	0.25	0.62-0.70	0.53	2.50	4.50	1.50	500,000
	1.85 (UH)	none (BZ)	4A	50K (F)	1 to 4	0.25	0.62-0.70	0.53	2.50	4.50	1.50	500,000