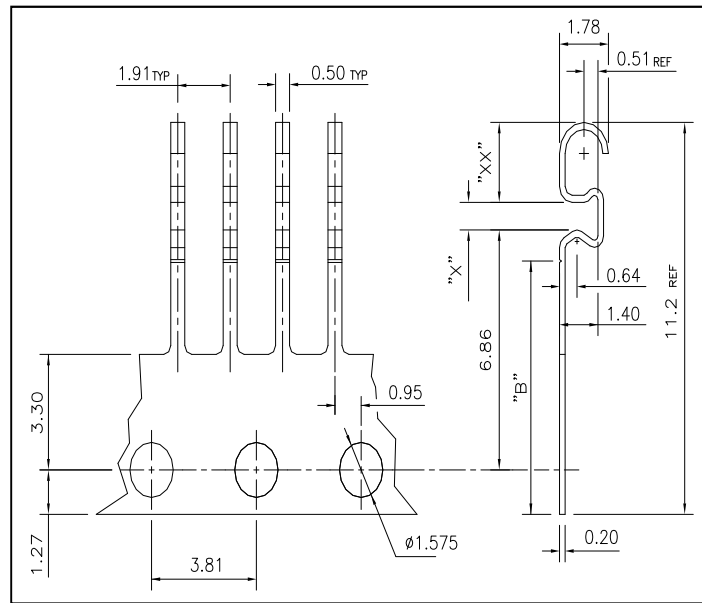


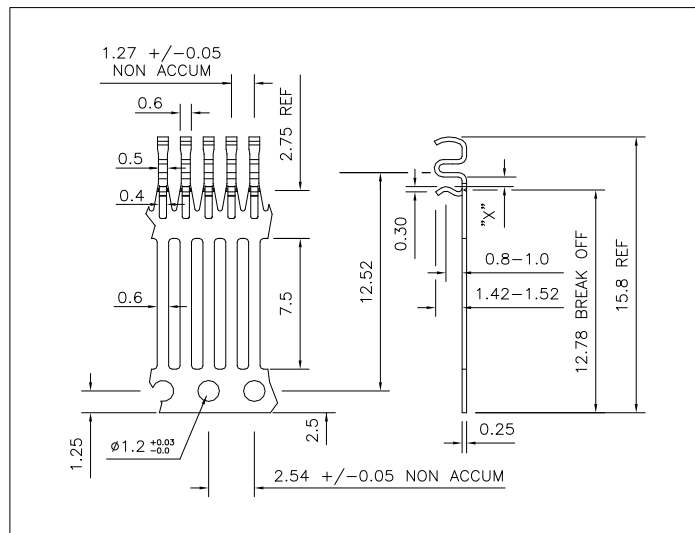
SM 7600 Series



All Dimensions in mm

Ordering Information							Technical Information					
Part Number	Top Bar Dim T	Bottom Bar Dim B	On Lay Code	Plating Code	Qty per Reel	Wind Style	Material Thickness	Substrate Size	Gap Size Dim X	Stand Off Dim XX	Clip Length	MOQ
SM7600	none (TZ)	7.24 (BS)	-	4A	40K (E)	5 to 8	0.20	0.86-1.00	0.79	2.30	1.40	480,000

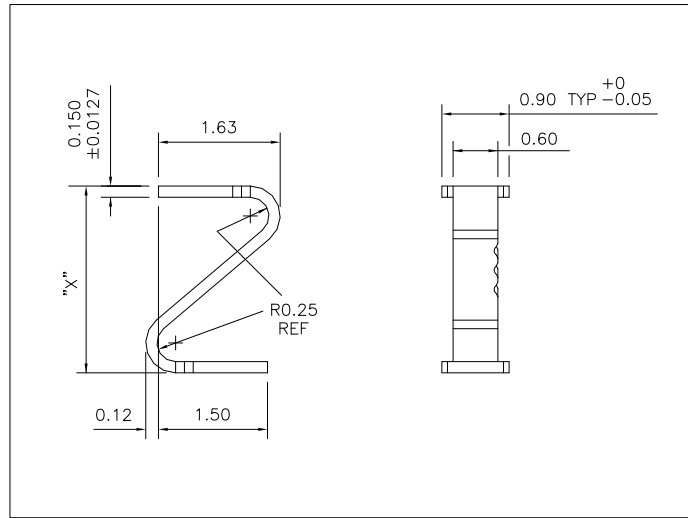
SM 6800 Series



All Dimensions in mm

Ordering Information							Technical Information					
Part Number	Top Bar Dim T	Bottom Bar Dim B	On Lay Code	Plating Code	Qty per Reel	Wind Style	Material Thickness	Substrate Size	Gap Size Dim X	Stand Off Dim XX	Clip Length	MOQ
SM6800	none (TZ)	12.78 (BR)	B3	4A	80K (G)	5 to 8	0.25	0.64-0.75	0.58	2.30	1.47	480,000

SM 8300 Series



All Dimensions in mm

Ordering Information							Technical Information					
Part Number	Top Bar Dim T	Bottom Bar Dim B	On Lay Code	Plating Code	Qty per Reel	Wind Style	Material Thickness	Substrate Size	Gap Size Dim X	Stand Off Dim XX	Clip Length	MOQ
SM8300	-	-	-	4A	50K (F)	5 to 8	0.15	-	-	2.50	-	500,000
SM8300	-	-	-	4A	50K (F)	5 to 8	0.15	-	-	3.00	-	500,000
SM8300	-	-	-	4A	50K (F)	5 to 8	0.15	-	-	3.40	-	500,000