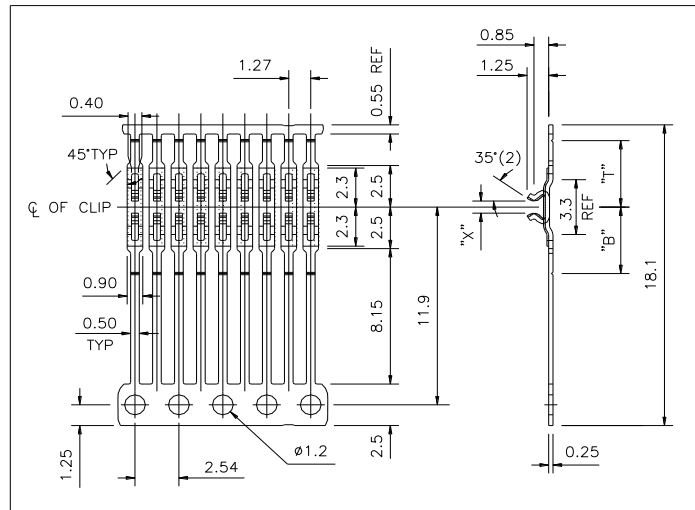


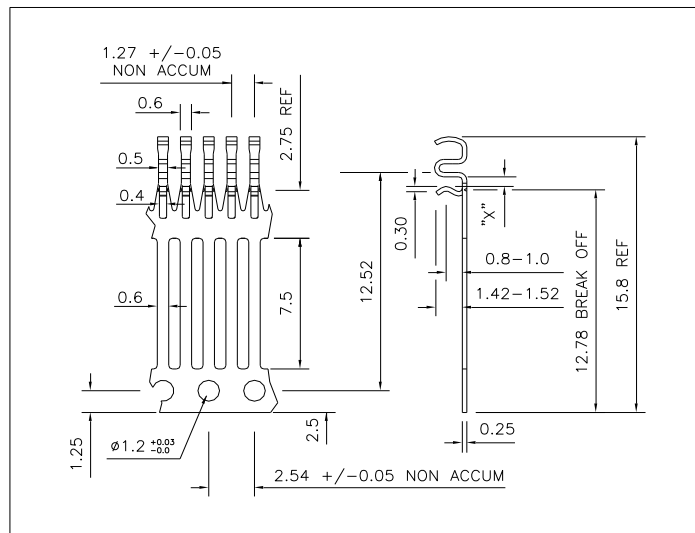
## SM 6700 Series



*All Dimensions in mm*

Ordering Information							Technical Information					
Part Number	Top Bar Dim T	Bottom Bar Dim B	On Lay Code	Plating Code	Qty per Reel	Wind Style	Material Thickness	Substrate Size	Gap Size Dim X	Stand Off Dim XX	Clip Length	MOQ
BA6700	4.00 (UB)	4.00 (BF)	B3	4A	80K (G)	5 to 8	0.25	1.00-1.08	0.90		1.05	480,000
	none (TZ)	none (BZ)	B3	4A	80K (G)	5 to 8	0.25	1.00-1.08	0.90		1.05	480,000
BA6701	4.00 (UB)	4.00 (BF)	B3	4A	80K (G)	5 to 8	0.25	0.85-1.00	0.73	Sized on ass'y to suit FR4	1.05	480,000
	none (TZ)	none (BZ)	B3	4A	80K (G)	5 to 8	0.25	0.85-1.00	0.73		1.05	480,000
BA6702	4.00 (UB)	4.00 (BF)	B3	4A	80K (G)	5 to 8	0.25	0.87-0.94	0.79		1.05	480,000
	none (TZ)	none (BZ)	B3	4A	80K (G)	5 to 8	0.25	0.87-0.94	0.79		1.05	480,000

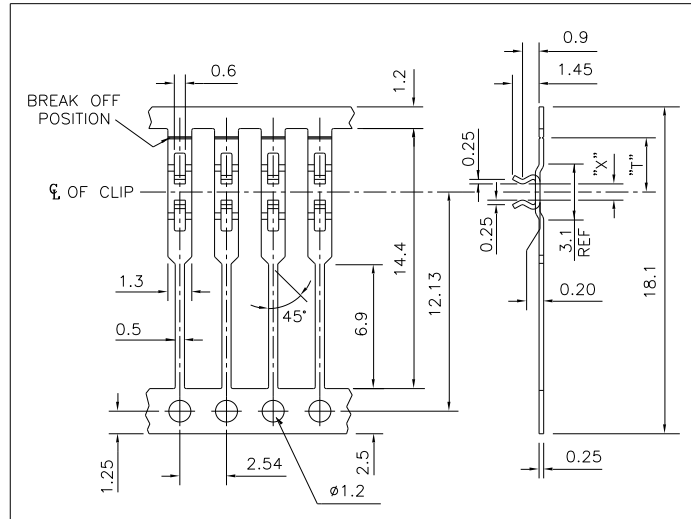
## SM 6800 Series



*All Dimensions in mm*

Ordering Information							Technical Information					
Part Number	Top Bar Dim T	Bottom Bar Dim B	On Lay Code	Plating Code	Qty per Reel	Wind Style	Material Thickness	Substrate Size	Gap Size Dim X	Stand Off Dim XX	Clip Length	MOQ
SM6800	none (TZ)	12.78 (BR)	B3	4A	80K (G)	5 to 8	0.25	0.64-0.75	0.58	2.30	1.47	480,000

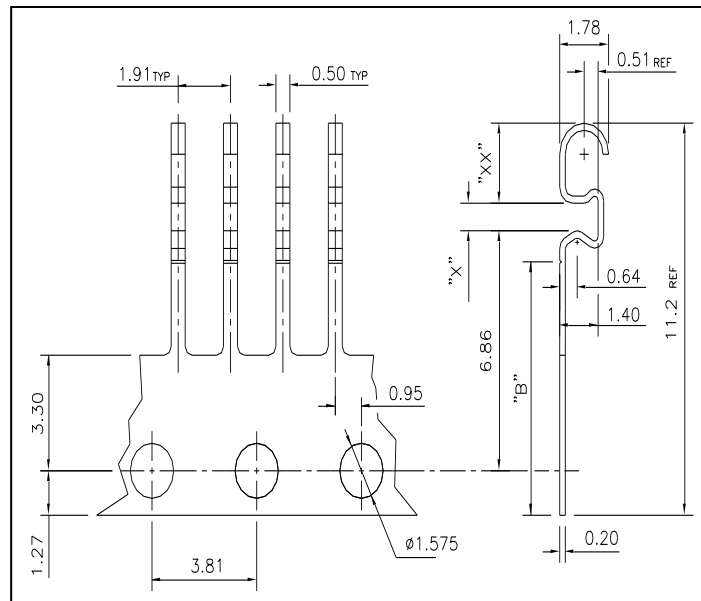
## SM 6900 Series



All Dimensions in mm

Ordering Information							Technical Information					
Part Number	Top Bar Dim T	Bottom Bar Dim B	On Lay Code	Plating Code	Qty per Reel	Wind Style	Material Thickness	Substrate Size	Gap Size Dim X	Stand Off Dim XX	Clip Length	MOQ
SM6900	3.00 (UF)	none (BZ)	-	4A	40K (E)	5 to 8	0.25	0.96-1.11	0.92	-	1.45	480,000

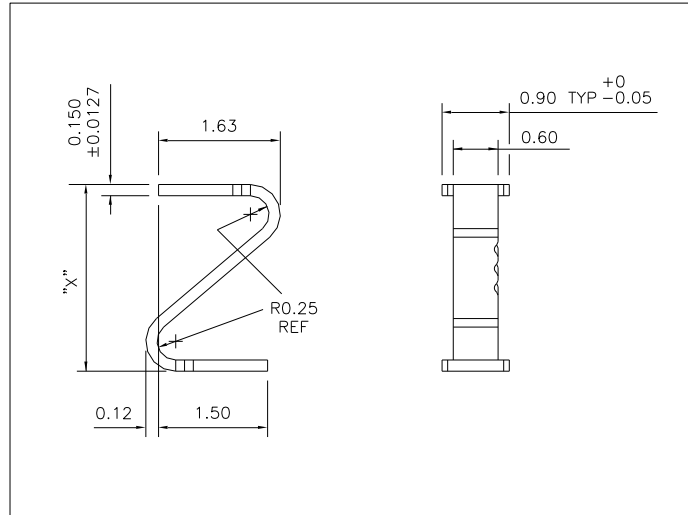
## SM 7600 Series



All Dimensions in mm

Ordering Information							Technical Information					
Part Number	Top Bar Dim T	Bottom Bar Dim B	On Lay Code	Plating Code	Qty per Reel	Wind Style	Material Thickness	Substrate Size	Gap Size Dim X	Stand Off Dim XX	Clip Length	MOQ
SM7600	none (TZ)	7.24 (BS)	-	4A	40K (E)	5 to 8	0.20	0.86-1.00	0.79	2.30	1.40	480,000

# SM 8300 Series



All Dimensions in mm

Ordering Information							Technical Information					MOQ
Part Number	Top Bar Dim T	Bottom Bar Dim B	On Lay Code	Plating Code	Qty per Reel	Wind Style	Material Thickness	Substrate Size	Gap Size Dim X	Stand Off Dim XX	Clip Length	
SM8300	-	-	-	4A	50K (F)	5 to 8	0.15	-	-	2.50	-	500,000
SM8300	-	-	-	4A	50K (F)	5 to 8	0.15	-	-	3.00	-	500,000
SM8300	-	-	-	4A	50K (F)	5 to 8	0.15	-	-	3.40	-	500,000